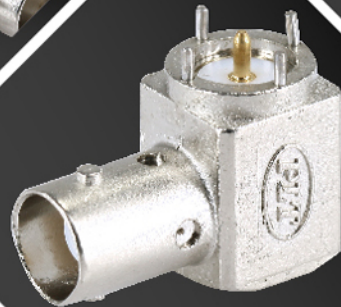




APEX CONNECTOR
鋁鋼精密科技

- Since 1978 -

APEX CONNECTORS BNC



www.plt.com.tw



產品多元·網站查詢

Diversified products for more information
please check our website



CONTENTS

PLUGS • Clamp / Solder

OVERVIEW	APEX NO.	PAGE
	B-101	05
	B-127	06
	B-151	06
	B-164	06

PLUGS • BNC / Clamp

OVERVIEW	APEX NO.	PAGE
	B-143	07
	B-148	07
	B-152	07
	B-105	08
	B-105Y	08
	B-115	08
	B-147B	09

PLUGS • BNC / Clamp

OVERVIEW	APEX NO.	PAGE
	B-147C	09

JACKS & PANEL JACKS • BNC / Clamp


APEX NO.	PAGE
B-114	09
B-116	09

JACKS • BNC / Clamp

OVERVIEW	APEX NO.	PAGE
	B-119	10
	B-146B	10
	B-146C	10
	B-153A	10
	B-117	11
	B-132	11
	B-156	11
	B-201	11

CONTENTS


PLUGS • Molded Type

OVERVIEW	APEX NO.	PAGE
	B-106	12

PLUGS • Twist Type

OVERVIEW	APEX NO.	PAGE
	B-122	12
	B-165	12

JACKS • Twist-On Type

OVERVIEW	APEX NO.	PAGE
	B-139	13

PLUGS • BNC Ant

OVERVIEW	APEX NO.	PAGE
	B-129	13
	B-138	13
	B-195	13



PLUGS • Bulkhead Receptacle

OVERVIEW	APEX NO.	PAGE
	B-104	14

JACKS • Bulkhead Receptacle

OVERVIEW	APEX NO.	PAGE
	B-109	14
	B-110	14
	B-112	15
	B-126	15
	B-118	15
	B-137	15
	B-155	16
	B-161	16

JACKS • PCB Type

OVERVIEW	APEX NO.	PAGE
	B-135A	16
	B-135B	16
	B-136A	17

CONTENTS

JACKS • PCB Type

OVERVIEW	APEX NO.	PAGE
	B-136B	17
	B-136C	17
	B-149A	17
	B-149B	17
	B-149F	18
	B-149G	18

JACKS • Adapter

OVERVIEW	APEX NO.	PAGE
	B-120	18
	B-123	18
	B-124	18

BNC • Series Adapter

OVERVIEW	APEX NO.	PAGE
	B-131	19
	B-141	19
	B-150	19
	B-142	19

BNC • Series Adapter

OVERVIEW	APEX NO.	PAGE
	B-170	19
	B-180	19
	B-194	20
	B-196	20
	B-197	20
	B-200	20
	B-107	21
	B-121	21
	B-202	21
	B-203	21
	B-207	22
	B-208	22
	B-103	22
	B-130A	22
	B-130B	23

ORDERING INFORMATION

B - 1 0 1 A - B S G T 7

BNC SERIES

MODEL NO.

CABLE SIZE / TYPE

BODY MATERIAL

B	BRASS
Z	ZINC ALLOY
S	STAINLESS

BODY PLATING

C	CHROME
G	GOLD
N	NICKEL
S	SILVER

IMPEDANCE

NOTE=50 ohm
7=75 ohm

PIN PLATING

D	DELTRIN
T	TEFLON
P	PLASTIC
PB	PBT POLYESTER
PH	PHENOLIC

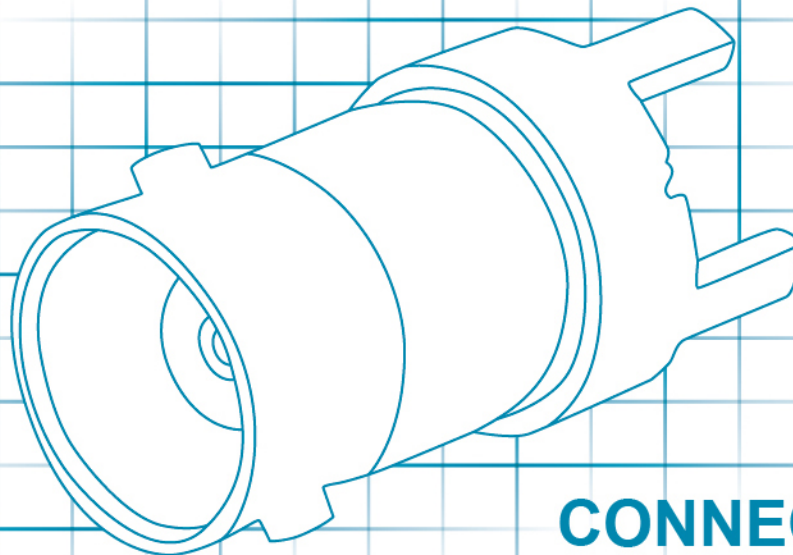
PIN PLATING

C	CHROME
G	GOLD
N	NICKEL
S	SILVER

Electrical Specifications

- Voltage Rating : AC 500V
- Withstanding Voltage : AC 1,500V one minute
- Insulation Resistance : 1,000MΩ min at DC 500V
- Contact Resistance : 3m Ω max at DC 1A
- Frequency Range : 1-2 GHz

BNC SERIES

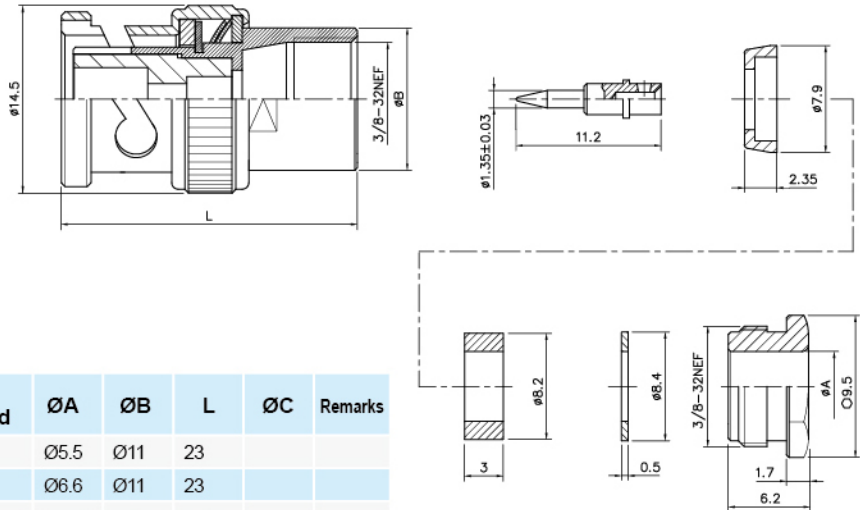


CONNECTORS

PLUGS • Clamp / Solder



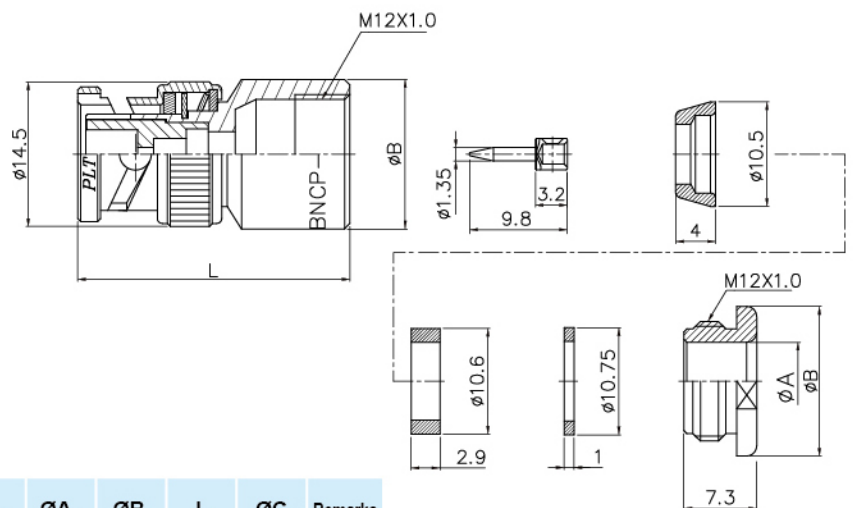
B-101A · B-101B · B-101C · B-101D · B-101E · B-101F · B-101G · B-101H · B-101I · B-101J · B-101K



Model No.	Equivalent identification	Cables accommodated	ØA	ØB	L	ØC	Remarks
B-101 A	BNC-P-58U	RG-58A/UU, 58/U	Ø5.5	Ø11	23		
B-101 B	BNC-P-59U	BNC-P-59U	Ø6.6	Ø11	23		
B-101 C	BNC-P-8/U	BNC-P-8/U	Ø11.2	Ø17.5	34.7		
B-101 D	BNC-P-1.5	BNC-P-1.5	Ø3.2	Ø11	23	Ø9.5	
B-101 E	BNC-P-1.7	BNC-P-1.7	Ø3.2	Ø10.8	23	Ø9.5	
B-101 F	BNC-P-2.5	BNC-P-2.5	Ø4.5	Ø11	23	Ø9.5	
B-101 G	BNC-P-3	BNC-P-3	Ø6.3	Ø11	23	Ø9.5	
B-101 H	BNC-P-5	BNC-P-5	Ø7.8	Ø15	27.3	Ø15	
B-101 I	BNC-P-3.5W	BNC-P-3.5W					
B-101 J	BNC-P-3W	BNC-P-3W	Ø6.6	Ø11	23	Ø9.5	
B-101 K	BNC-P-5W	BNC-P-5W	Ø8.6	Ø15	27.3	Ø15	



B-101L · B-101P · B-101Q

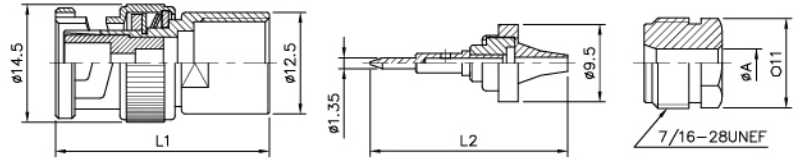


Model No.	Equivalent identification	Cables accommodated	ØA	ØB	L	ØC	Remarks
B-101 L	BNC-P-5DFB	5D-FB	Ø7.8	Ø15	27.3		
B-101 P	BNC-P-7	7C-2V	Ø11.2	Ø17.5	38.5		
B-101 Q	BNC-P-8	8D-2V	Ø11.6	Ø17.5	38		

PLUGS • Clamp / Solder



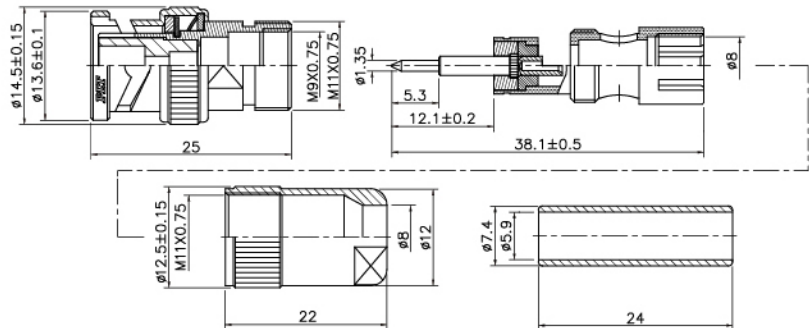
B-127A · B-127B · B-127C



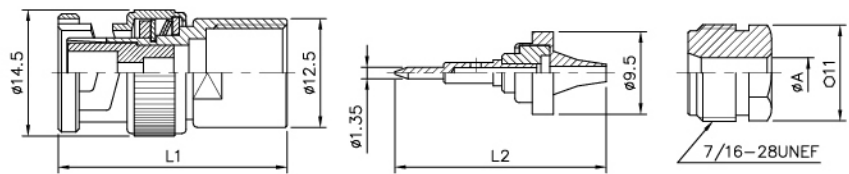
Model No.	Equivalent identification	Cables accommodated	ØA	L1	L2	ØC	Remarks
B-127 A	BNC-P-174	RG-174-U	Ø3.5	26	24.4		
B-127 B	BNC-P-58	RG-58A/U, 58/U	M6x1	26	24.4		
B-127 C	BNC-P-59	RG-59/U, RG-62/U	9/32 -2 BUNEF	26	24.4		



B-151A



B-164A · B-164B

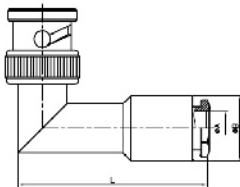


Model No.	Equivalent identification	Cables accommodated	ØA	L1	L2	Remarks
B-164 A	BNC-P-2.5	2.5D-2V	Ø4.5	26	24.4	Screw lock type
B-164 B	BNC-P-1.5	1.5D-2V	Ø3.2	26	24.4	Screw lock type

PLUGS • BNC / Clamp



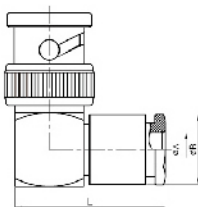
B-143A · B-143B · B-143C · B-143D · B-143E



Model No.	Equivalent identification	Cables accommodated	ØA	ØB	L	Remarks
B-143 A	BNC-LP-5PU	RG-55/U, 58/U	Ø5.5	Ø12.7	33	UG-913/U
B-143 B	BNC-LP-62U	RG-59, 62U	Ø6.6	Ø13.7	33	
B-143 C	BNC-LP-5	5D-2V (5C-2V)	Ø8.0	Ø14.4	33	
B-143 D	BNC-LP-3W	3D-2W	Ø6.6	Ø12.7	33	
B-143 E	BNC-LP-5W	5D-2W	Ø8.6	Ø14.4	33	



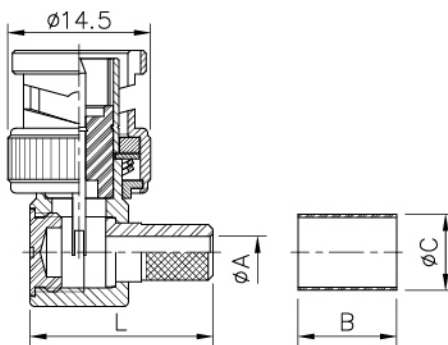
B-148A · B-148B



Model No.	Equivalent identification	Cables accommodated	ØA	ØB	L	Remarks
B-148 A	BNC-LP-58U	RG-55/U, RG-58A/U	Ø5.5	Ø10.8	27.5	UG-913/G
B-148 B	BNC-LP-3CV	3D-2V, 3C-2V	Ø6.3	Ø10.8	27.5	



B-152A · B-152B

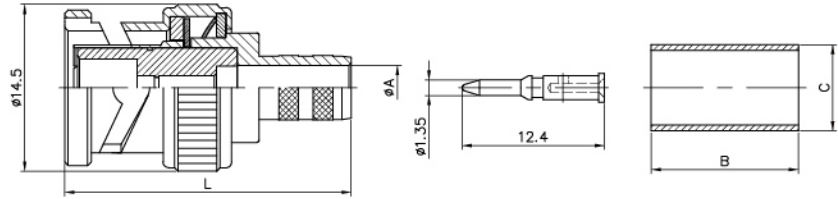


Model No.	Equivalent identification	Cables accommodated	ØA	ØB	ØC	L	Remarks
B-152 A	BNC-LP-58U	RG-58A/U, 58/U	Ø3.3	Ø10	Ø7.7	26	
B-152 B	BNC-LP-59U	RG-59U, 62/U	Ø3.8	Ø12.7	Ø7.5	21.2	

PLUGS • BNC / Clamp



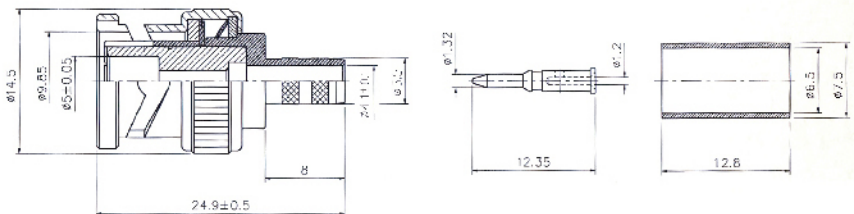
**B-105A · B-105B · B-105C · B-105D · B-105E · B-105F · B-105G
B-105H · B-105J · B-105K · B-105Q · B-105R · B-105S · B-105T**



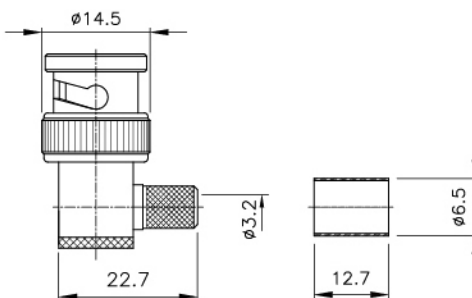
Model No.	Equivalent identification	Cables accommodated	ØA	ØB	ØC	L	Remarks
B-105 A	BNC-P-58U	RG-58A/U, 58/U	Ø3.2	Ø12.8	Ø6.5	25	
B-105 B	BNC-P-59U	RG-59U, 62/U	Ø3.9	Ø12.8	Ø7.5	25	
B-105 C	BNC-P-1.5	1.5C-2V	Ø2.7	Ø12.8	Ø5	25	
B-105 D	BNC-P-3	3C-2V	Ø3.3	Ø12.8	Ø6.5	25	
B-105 E	BNC-P-5	5C-2V	Ø5.3	Ø12.8	Ø9.0	25	
B-105 F	BNC-P-5F	5C-FB	Ø5.1	Ø12.8	Ø9	25	
B-105 G	BNC-P-5CW	5C-2W	Ø5.3	Ø12.8	Ø9.2	25	
B-105 H	BNC-P-3D	3D-2V	Ø3.3	Ø12.8	Ø6.5	25	
B-105 J	BNC-P-5D	5D-2V	Ø5.3	Ø12.8	Ø9.0	25	
B-105 K	BNC-P-5DW	5D-2W	Ø5.3	Ø12.8	Ø9.2	25	
B-105 Q	BNC-P-3D	3D-2W	Ø3.3	Ø12.8	Ø7.5	25	
B-105 R	BNC-P-2.5	2.5C-2V	Ø4	Ø12.8	Ø6.5	25	
B-105 S	BNC-P-1.7C	1.7C-2V	Ø1.8	Ø10	Ø3.8	24	
B-105 T	BNC-P-179	RG-179/U	Ø2.7	Ø14	Ø5.2	22.6	



B-105Y



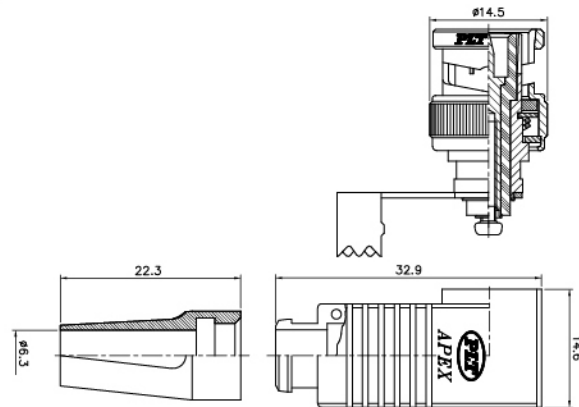
B-115A



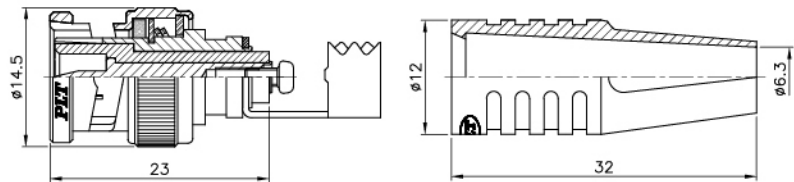
PLUGS • BNC / Clamp



B-147B

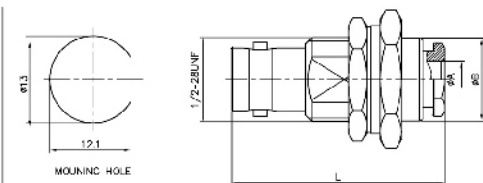


B-147C



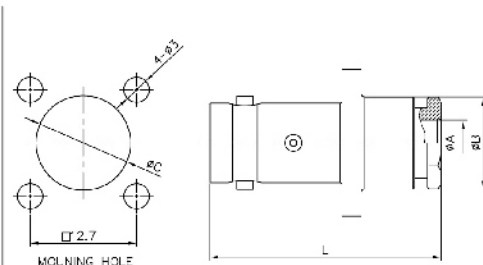
JACKS & PANEL JACKS • BNC / Clamp

B-114A • B-114B • B-114C



Model No.	Equivalent identification	Cables accommodated	ØA	ØB	L	Remarks
B-114 A	BNC-BJ-58U	RG-55/U, 58/U, 142/U	Ø5.4	Ø12.5	28.6	
B-114 B	BNC-BJ-62U	RG-59, 62/U	Ø6.6	Ø12.5	28.6	
B-114 C	BNC-BJ-1.5D	1.5D-2V, 1.5C-2V	Ø3.4	Ø12.5	28.6	

B-116A • B-116B • B-116C • B-116D • B-116E • B-116F • B-116G

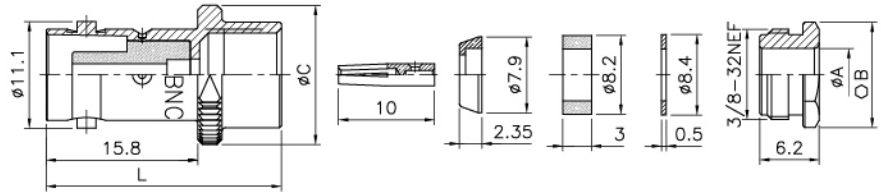


Model No.	Equivalent identification	Cables accommodated	ØA	ØB	L	Remarks
B-116 A	BNC-PJ-58U	RG-55/U, 58/U, 58A/U	Ø5.4	Ø10.8	28.2	
B-116 B	BNC-PJ-62U	RG-59, 62/U	Ø6.6	Ø10.8	28.2	
B-116 C	BNC-PJ-1.5	1.5D-2V (1.5C-2V)	Ø3.2	Ø10.8	28.2	
B-116 D	BNC-PJ-3	3D-2V (3C-2V)	Ø6.3	Ø10.8	28.2	
B-116 E	BNC-PJ-5	5D-2V (5C-2V)	Ø8.0	Ø14.8	35	
B-116 F	BNC-PJ-3W	3D-2W	Ø6.6	Ø10.8	28.2	
B-116 G	BNC-PJ-5W	5D-2W	Ø8.6	Ø14.8	35	

JACKS • BNC / Clamp



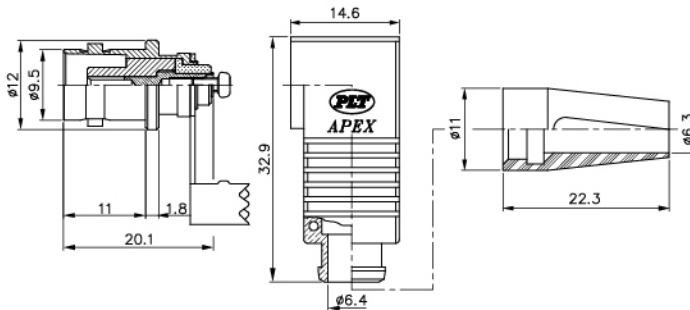
B-119A · B-119B · B-119C · B-119D



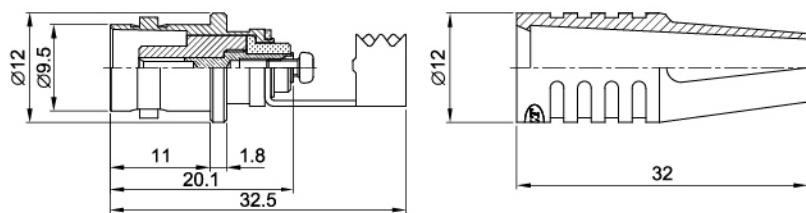
Model No.	Equivalent identification	Cables accommodated	ØA	ØB	ØC	H	L
B-119 A	BNC-J-58U	RG-58A/U, 58/U	Ø5.5	Ø9.5	Ø15.4	12.5	24.5
B-119 B	BNC-J-62U	RG-59U, 62/U	Ø6.6	Ø10.8	Ø14	12.7	28.5
B-119 C	BNC-J-3	3D-2V, 3C-2V	Ø6.3	Ø10.8	Ø14	12.7	28.5
B-119 D	BNC-J-5	5D-2V, 5C-2V	Ø8.0	Ø15.9	Ø17	16	33.9



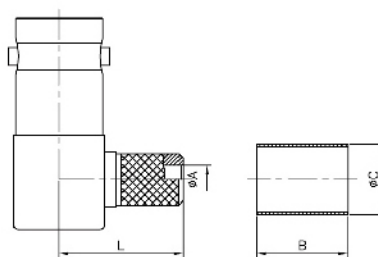
B-146B



B-146C



B-153A · B-153B

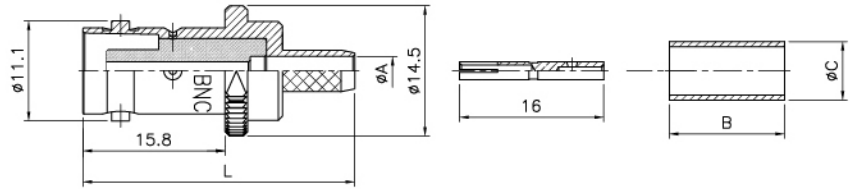


Model No.	Equivalent identification	Cables accommodated	ØA	B	ØC	L	Remarks
B-153 A	BNC-LP-58U	RG-58A/U, 58/U	Ø3.2	12.7	Ø6.5	12.7	
B-153 B	BNC-LP-59U	RG-59U, 62/U	Ø3.8	12.7	Ø7.5	12.7	

JACKS • BNC / Clamp



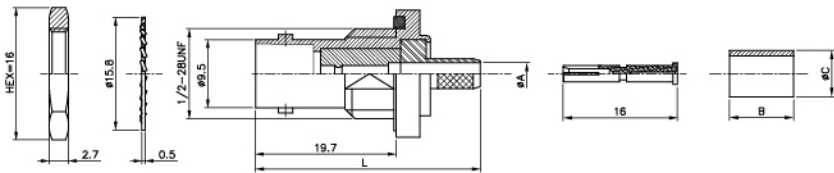
B-117A · B-117B · B-117C · B-117D · B-117E



Model No.	Equivalent identification	Cables accommodated	ØA	B	ØC	L	Remarks
B-117 A	BNC-J-58U	RG-55/U, RG-58/U	Ø3.2	12.8	Ø6.5	30.2	
B-117 B	BNC-J-174U	RG-174U	Ø3	12.8	Ø5.3	30.2	
B-117 C	BNC-1.5	1.5C-2V (1.5D-2V)	Ø2.2	12.8	Ø5.3	30.2	
B-117 D	BNC-J-3	3C-2V	Ø3.3	12.8	Ø6.5	30.2	
B-117 E	BNC-J-5	5C-2V	Ø5.3	12.8	Ø9.2	30.2	



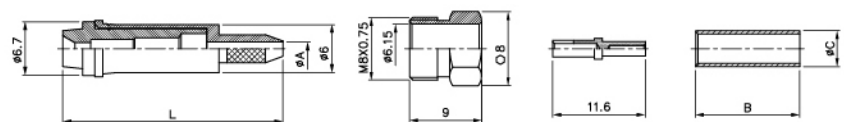
B-132A · B-132B



Model No.	Equivalent identification	Cables accommodated	ØA	ØB	ØC	L	Remarks
B-132 A	BNC-BJ-2C	2C2V	Ø3.1	Ø9	Ø6.5	31.5	
B-132 B	BNC-BJ-59U	RG-59U, 62/U	Ø3.3	Ø12.7	Ø7.5	31.5	



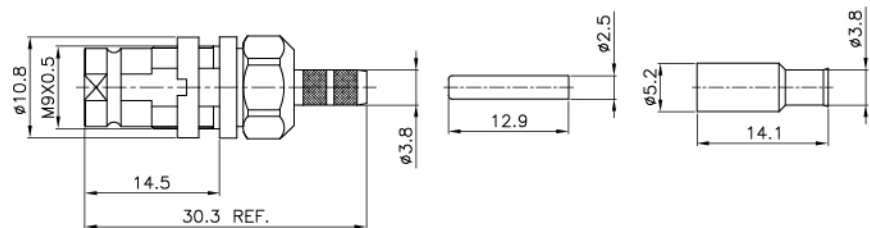
B-156A · B-156B
FME



Model No.	Equivalent identification	Cables accommodated	ØA	ØB	ØC	L	Remarks
B-156 A	FME CRIMP-58	RG-55/U, 58/U	Ø3.2	Ø12.7	Ø6.5	27.3	
B-156 B	FME CRIMP-59	RG-59U, 62/U	Ø3.8	Ø12.7	Ø7.5	27.3	



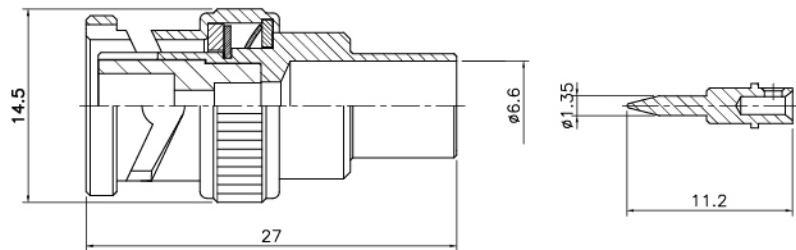
B-201A
1.6-5.6 R/A CLAMP JACK



PLUGS • Molded Type



B-106A · B-106B

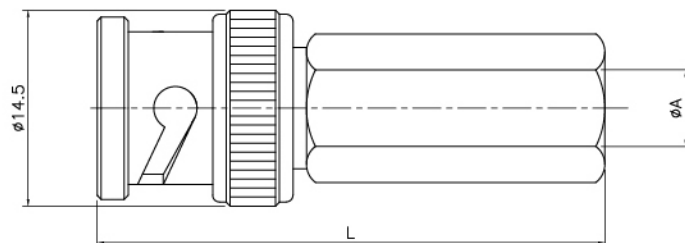


Model No.	Equivalent identification	Cables accommodated	ØA	ØB	L	Remarks
B-106 A	BNC-P-MOLDED	RG-55/U, RG-58/U	Ø5.5	Ø6.8	27	
B-106 B	BNC-P-MOLDED	RG-59/U, RG-62/U	Ø6.6	Ø7.5	27	

PLUGS • Twist Type



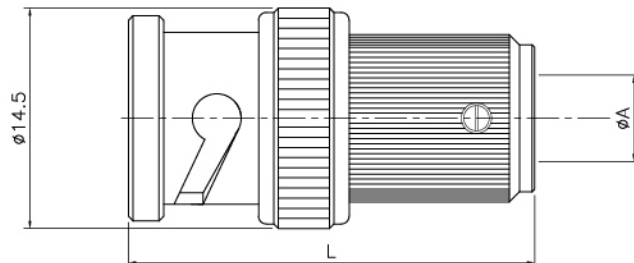
B-122A · B-122B



Model No.	Equivalent identification	Cables accommodated	ØA	ØB	L	Remarks
B-122 A	BNC-TWIST-ON	RG-58/U, RG-58/U	Ø5.3	--	37.6	
B-122 B	BNC-TWIST-ON	RG-59/U, RG-62/U	Ø6.4	--	37.6	



B-165A · B-165B

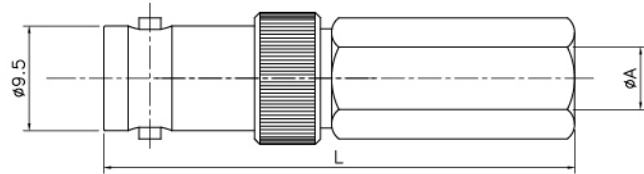


Model No.	Equivalent identification	Cables accommodated	ØA	ØB	L	Remarks
B-165 A	BNC-P-RAPID	RG-55/U, 58/U	Ø5.4	--	26.7	
B-165 B	BNC-P-RAPID	RG-59U, 62/U	Ø6.6	--	26.7	

JACKS • Twist-On Type



B-139A · B-139B

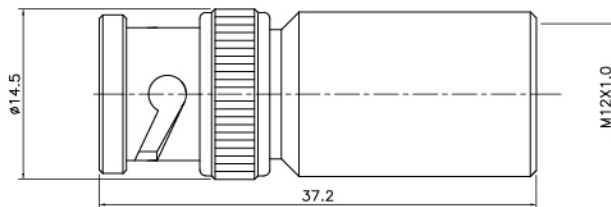


Model No.	Equivalent identification	Cables accommodated	ØA	ØB	L	Remarks
B-139 A	BNC-JACK-TWIST-ON	RG-55/U, RG-58/U	Ø5.3	--	40.2	
B-139 B	BNC-JACK-TWIST-ON	RG-59/U, RG-62/U	Ø6.4	--	40.2	

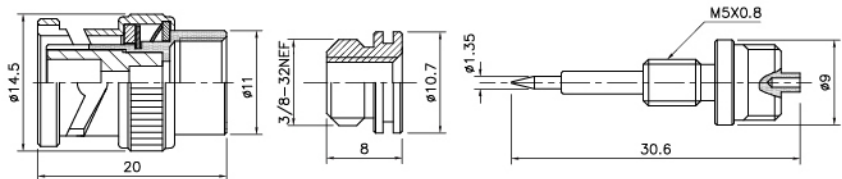
PLUGS • BNC Ant



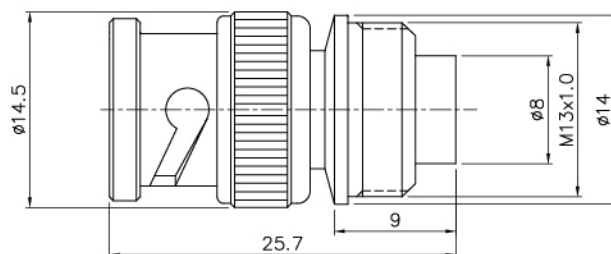
B-129A · B-129B · B-129C



B-138A



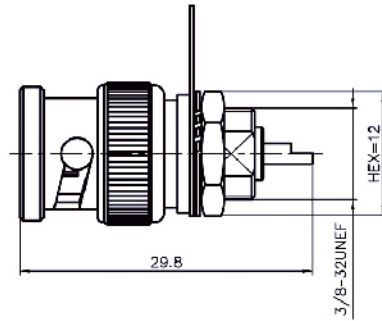
B-195A



PLUGS • Bulkhead Receptacle



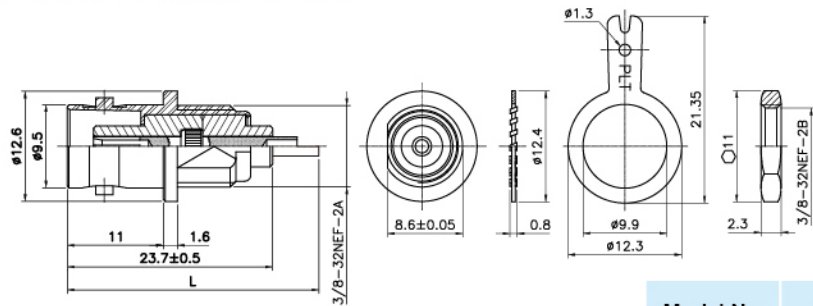
B-104A
BNC-P-BR



JACKS • Bulkhead Receptacle



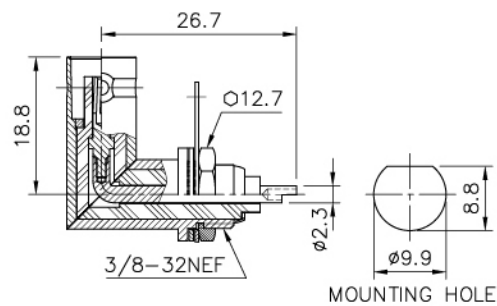
B-109A · B-109B · B-109C



Model No.	L
B-109 A	27
B-109 B	29
B-109 C	31
B-109 D	27



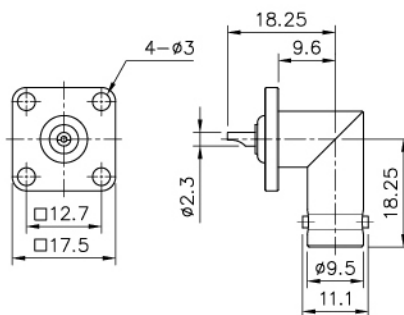
B-110A
BNC-LBR



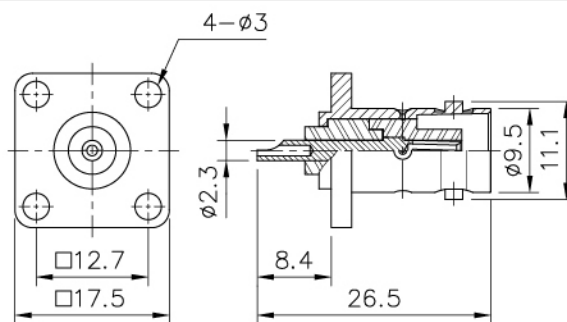
JACKS • Bulkhead Receptacle



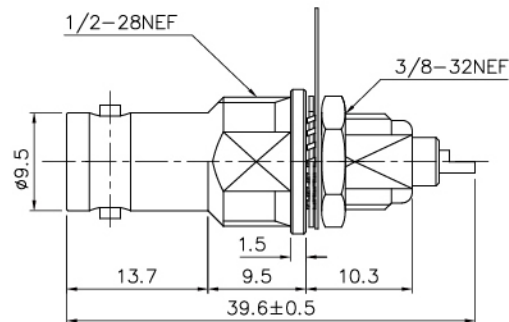
B-112A
BNC-CR



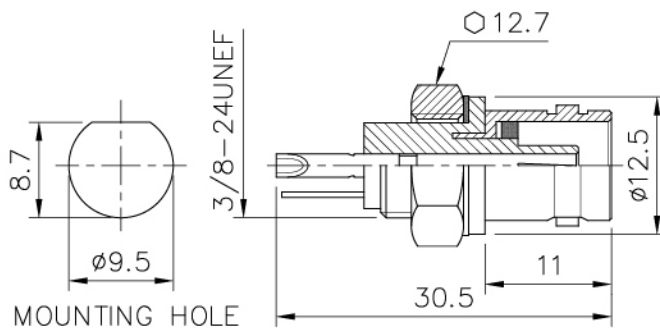
B-126A
BNC-R



B-118A
BNC-BR



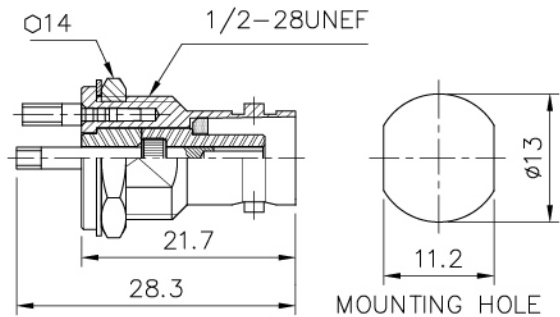
B-137A
BNC-BR



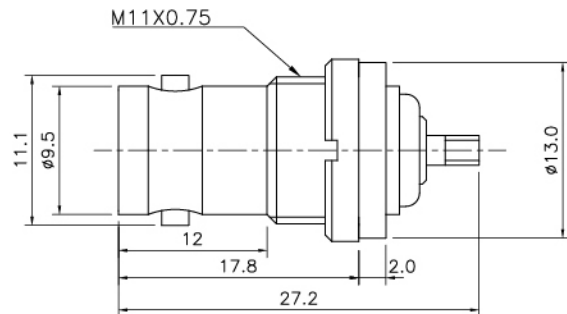
JACKS • Bulkhead Receptacle



B-155A
BNC-RM



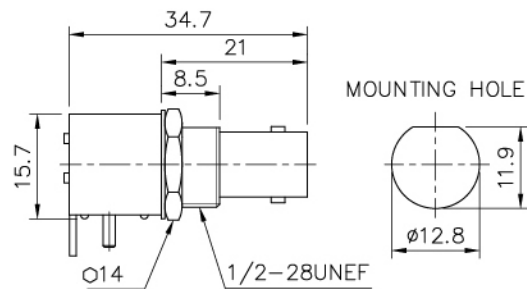
B-161B
BNC-RM



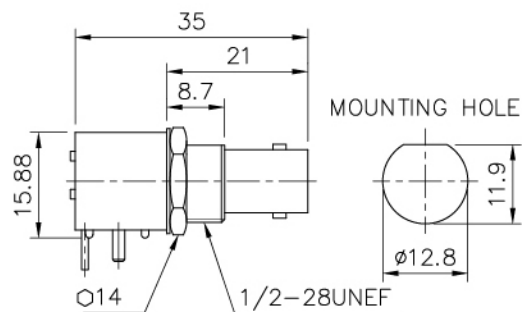
JACKS • PCB Type



B-135A
BNC-RM-PCB



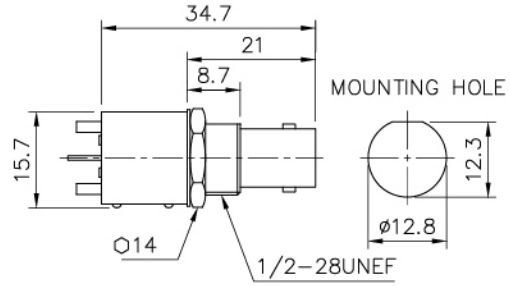
B-135B
BNC-RM-PCB



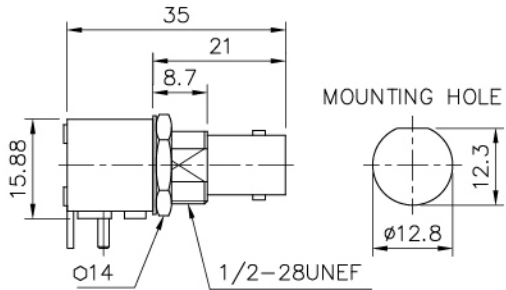
JACKS • PCB Type



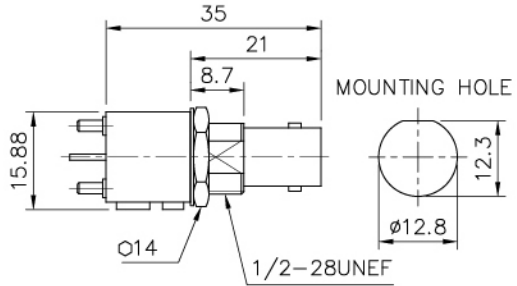
B-136A
BNC-RM-PCB



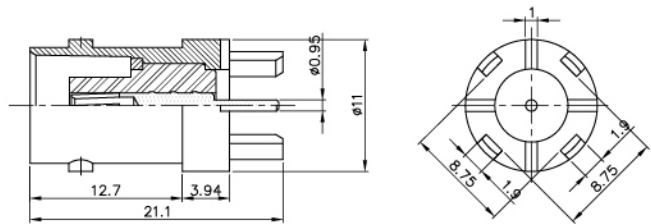
B-136B
BNC-RM-PCB



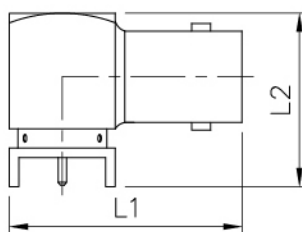
B-136C
BNC-RM-PCB



B-149A
BNC-SR-PCB



B-149B
BNC-LR-PCB

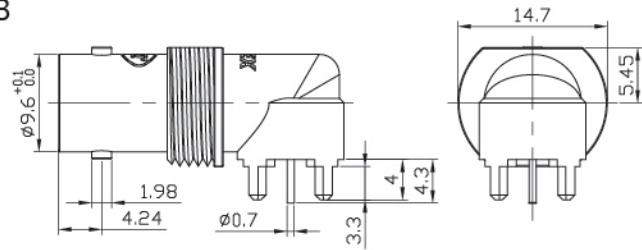


Model No.	L1	L2
B-149 B	24.15	18
B-149 C	24.65	19.5

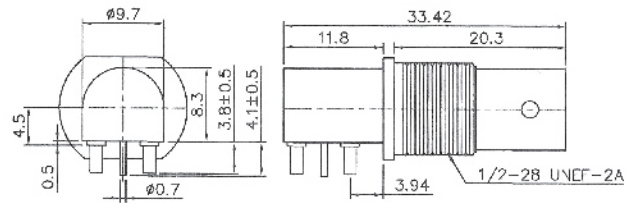
JACKS • PCB Type



B-149F
BNC-LR-PCB



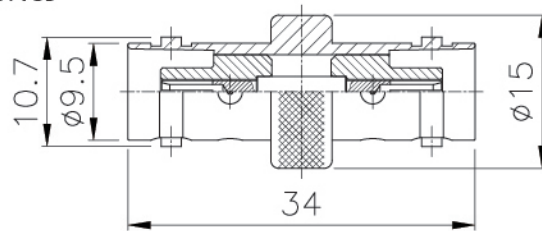
B-149G
BNC-LR-PCB



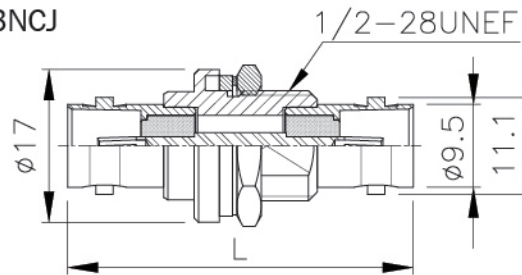
JACKS • Adapter



B-120A
BNCJ-BNCJ



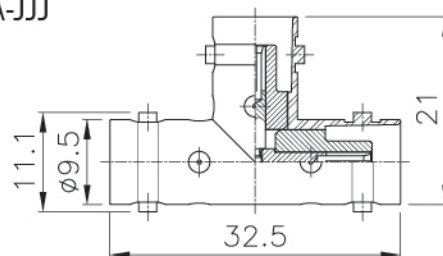
B-123A
BNCJ-BNCJ



Model No.	L
B-123A	37.2
B-123B	46
B-123C	62



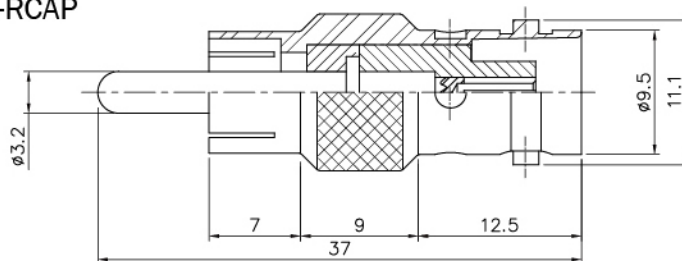
B-124A
BNC-TA-JJJ



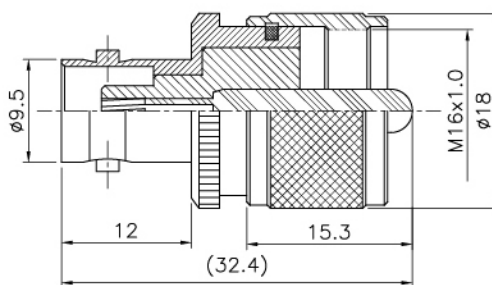
BNC • Series Adapter



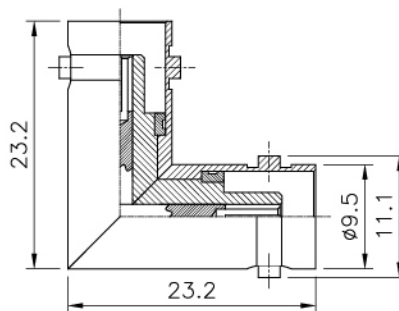
B-131A
BNCJ-RCAP



B-141A
BNCJ-MP



B-150A
BNC-LA-JJ



B-142A
BNCJ-FP



B-170A
BNC-PA-JJ



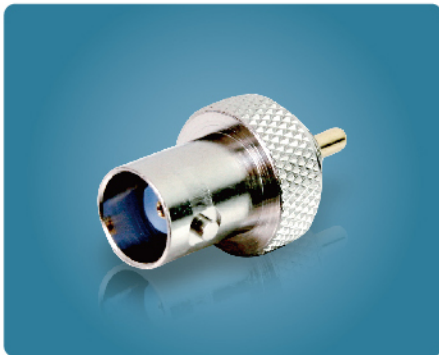
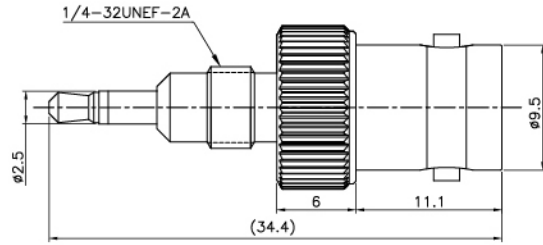
B-180A
BNC-PA-JJ



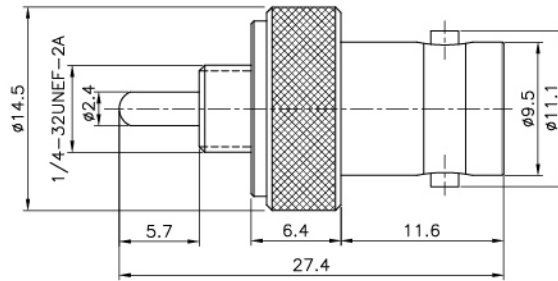
BNC • Series Adapter



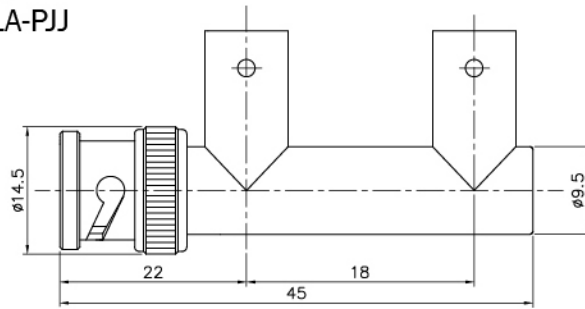
B-194A
BNC-MINI PLUG



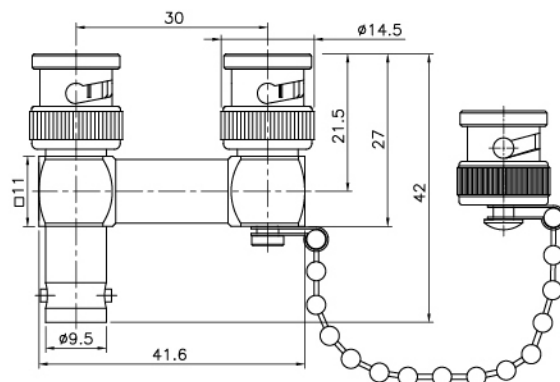
B-196A



B-197A
BNC-LLA-PJJ



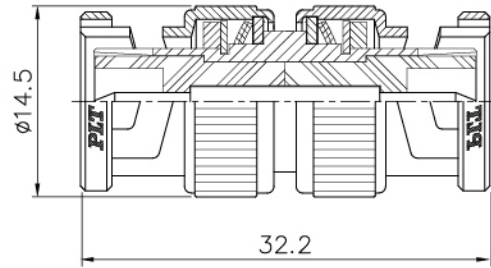
B-200A
BNC-LJ-PP75



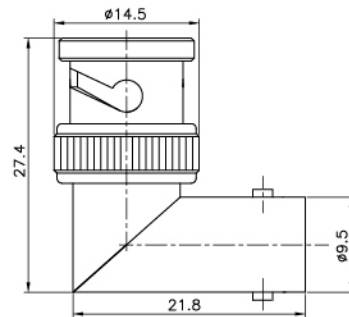
BNC • Series Adapter



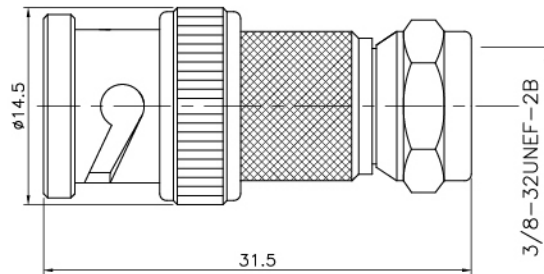
B-107A
BNCP-BNCP



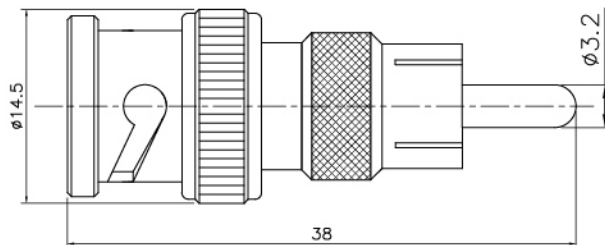
B-121A
BNC-LA-PJ



B-202A
BNCP-FP



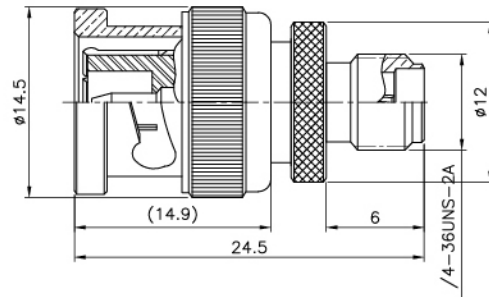
B-203A
BNCP-RCAP



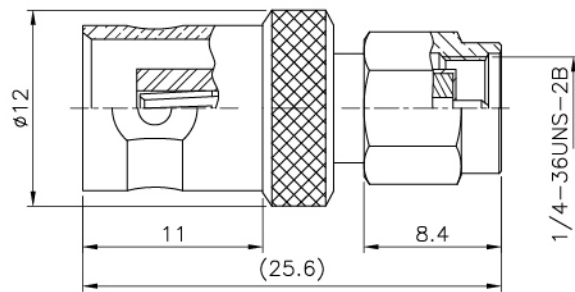
BNC • Series Adapter



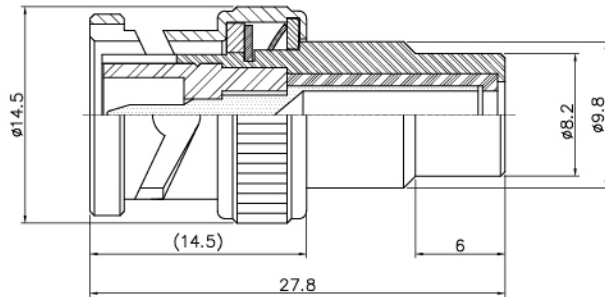
B-207A
BNCP-SMAJ



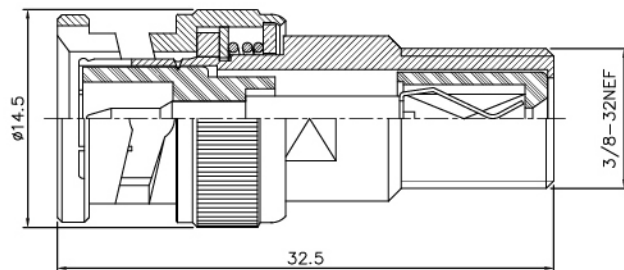
B-208A
BNCJ-SMAP



B-103A
BNCP-RCAJ



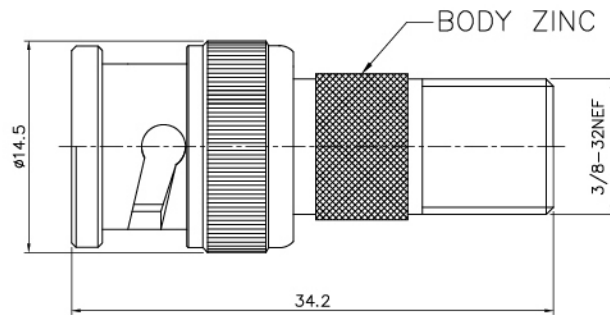
B-130A
BNCP-FJ



BNC • Series Adapter



B-130B
BNCP-FJ



- 1.本目錄記載數據僅供參考，詳細內容請參考式樣書或圖面。
- 2.本目錄記載內容為了改進產品如有變更，恕不另行通知敬請見諒。

1.The product information in this catalog is for reference only.
Please request the engineering drawing for the most current and accurate design information.

2.In order to make improvements in the products,we reserve the right to make changes,
updates and corrections to the information provided in this catalog at any time.
Subject to change without notice. Thank you for your understanding.



Manufacturer

OEM / ODM

APEX PRECISION TECHNOLOGY CORP.
錫鋼精密科技股份有限公司

總公司/總廠 : 24264 新北市新莊區民安西路405號 E-mail: apexmail@plt.com.tw
Headquarters No. 405, Min-an W. Rd., Sinjhuang District, New Taipei City 24264, Taiwan
TEL : +886-2-2206-8899 FAX : +886-2-2208-0559

台中/大雅廠 : 42844 台中市大雅區民生路3段191巷4號、6號、8號
Taichung Plant No. 8, Lane 191, Section 3, Minsheng Rd., Daya District, Taichung City 42844, Taiwan
TEL : +886-4-2560-7272 FAX : +886-4-2565-2228

日本公司 : 株式会社 PLT JAPAN Technology R&D / Import & Export
Japan Office 〒151-0053 東京都渋谷区代々木3丁目28番1・28-1, Yoyogi 3-Chome, Shibuya-ku, Tokyo, Japan
TEL : +81-3-6276-8845 FAX : +81-3-6276-6645 日本携帯電話 : +81-80-4166-2688

- AS9100D 航太國防工業品質管理系統認證通過
QUALITY MANAGEMENT SYSTEMS -
REQUIREMENTS FOR AVIATION, SPACE,
AND DEFENSE ORGANIZATIONS
- IATF 16949 全球汽車產業品質管理系統認證通過
CERTIFIED IN GLOBAL AUTOMOBILE INDUSTRY
- ISO 14001 國際環境管理系統認證通過
ENVIRONMENTAL MANAGEMENT SYSTEMS
- ISO 9001 國際品質管理系統認證通過
QUALITY MANAGEMENT SYSTEMS
- ISO/TS 22163 國際鐵路行業標準認證通過
INTERNATIONAL RAILWAY INDUSTRY STANDARD