



APEX CONNECTOR  
鋁鋼精密科技  
- Since 1978 -

Specialized Production

# APEX CONNECTORS

## UHF(M)



[www.plt.com.tw](http://www.plt.com.tw)












產品多元·網站查詢  
Diversified products for more information  
please check our website



# CONTENTS

## UHF(M) TWIST

OVERVIEW	APEX NO.	PAGE
	U-503	08
	UG-175	08
	UG-176	08
	U-537	08
	U-538	08
	U-536	09
	U-540	09
	U-544	09
	U-571	09
	U-558	09
	U-555	10

OVERVIEW	APEX NO.	PAGE
	U-509	10
	U-519	10
	U-523	10
	U-553	10
	U-522	11
	U-554	11
	U-572	11
	U-585	11
	U-586	11
	U-519F	12
	U-519G	12

# CONTENTS

## UHF(M) TWIST

OVERVIEW	APEX NO.	PAGE
	U-586C	12
	U-556	12
	U-557	12
	U-507A	13
	U-507	13
	U-593A	13
	U-591A	13
	U-592A	13
	U-587	14
	U-584	14
	U-579	14

OVERVIEW	APEX NO.	PAGE
	U-582	14
	U-596	14

## UHF(M) CRIMP

OVERVIEW	APEX NO.	PAGE
	U-513	15
	U-526	15
	U-543	15
	U-548	15
	U-524	15
	U-580	16
	U-501	16
	U-541	16
	U-550	16

# CONTENTS

## UHF(M) MOLDING

OVERVIEW	APEX NO.	PAGE
	U-502	17
	U-514	17
	U-525	17
	U-559	17
	Q-035	17

## UHF(M) ANT

OVERVIEW	APEX NO.	PAGE
	U-505	18
	U-518	18
	U-529	18
	U-530	18
	U-535	18

## UHF(M) ANT

OVERVIEW	APEX NO.	PAGE
	U-546	18
	U-573	19
	U-574	19
	U-575	19
	U-576	19
	U-577	19
	U-578	19

## UHF(M) ADAPTER

OVERVIEW	APEX NO.	PAGE
	U-504	20
	U-517A	20
	U-504A	20

# CONTENTS

## UHF(M) ADAPTER

OVERVIEW	APEX NO.	PAGE
	<b>U-549</b>	<b>20</b>
	<b>U-504B</b>	<b>20</b>
	<b>U-561</b>	<b>20</b>
	<b>U-510</b>	<b>20</b>
	<b>U-508</b>	<b>20</b>
	<b>U-517</b>	<b>20</b>
	<b>U-515</b>	<b>20</b>
	<b>U-528</b>	<b>21</b>
	<b>U-570</b>	<b>21</b>
	<b>U-534</b>	<b>21</b>
	<b>U-542</b>	<b>21</b>

OVERVIEW	APEX NO.	PAGE
	<b>U-564</b>	<b>21</b>
	<b>U-566</b>	<b>21</b>
	<b>U-565</b>	<b>21</b>
	<b>U-567</b>	<b>21</b>
	<b>U-563</b>	<b>21</b>
	<b>U-568</b>	<b>21</b>
	<b>U-569</b>	<b>22</b>
	<b>U-520</b>	<b>22</b>
	<b>U-562</b>	<b>22</b>
	<b>U-588</b>	<b>22</b>
	<b>U-560</b>	<b>22</b>

# CONTENTS

## UHF(M) ADAPTER

OVERVIEW	APEX NO.	PAGE
	U-595	22
	U-516	22
	U-C6	22
	U-597	22
	U-598	22

## UHF(M) CAP

OVERVIEW	APEX NO.	PAGE
	U-581	23
	U-C4	23
	U-583	23
	U-C5	23
	U-590	23

## UHF(M) CAP

OVERVIEW	APEX NO.	PAGE
	U-C1	23
	U-533	23
	U-C2	23
	U-589	23
	U-C3	23

## UHF(M) BULKHEAD RECEPTACLE

OVERVIEW	APEX NO.	PAGE
	U-506	24
	U-545	24
	U-511	24
	U-547	24
	U-521	24

# CONTENTS

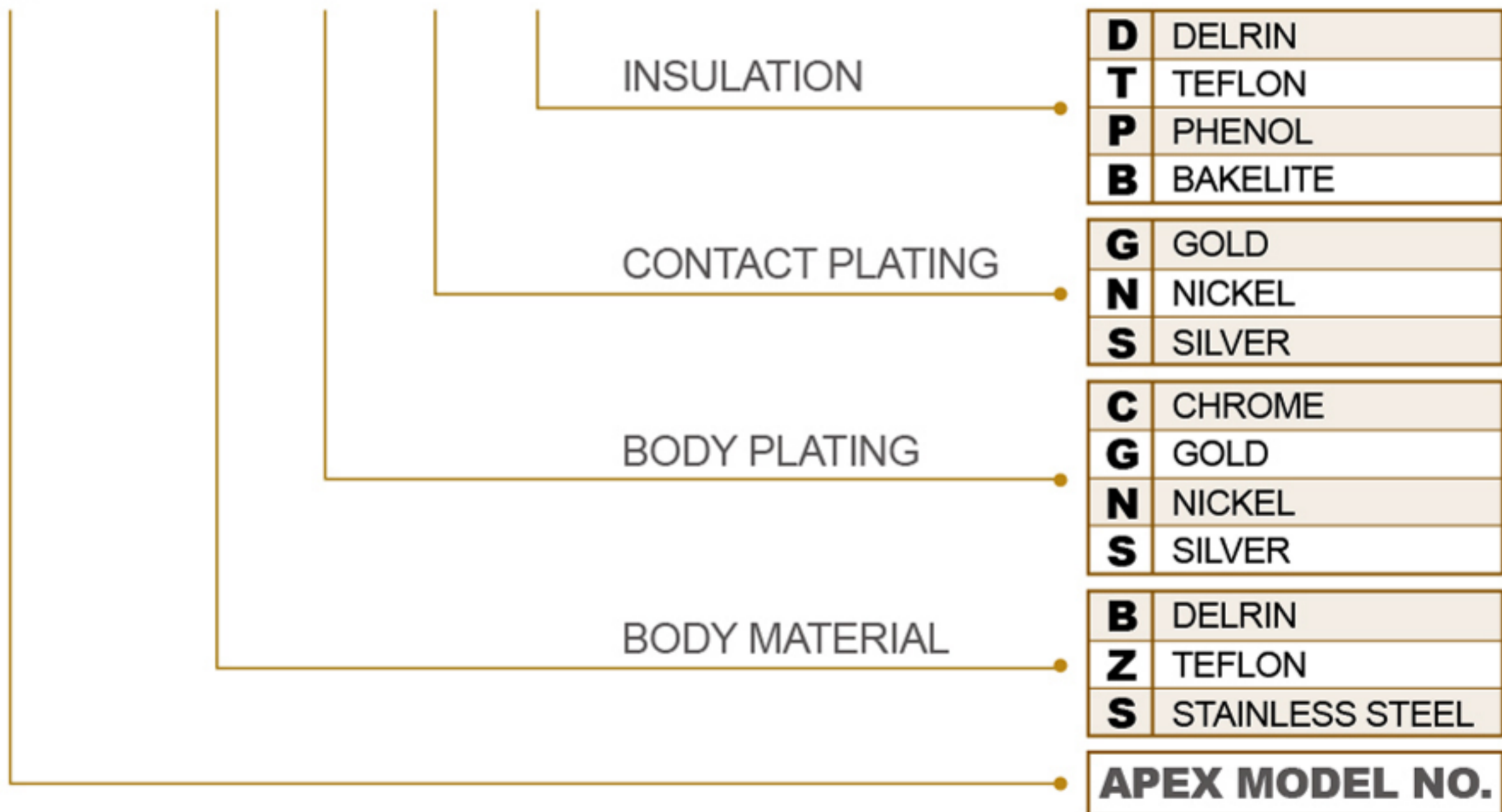
## UHF(M) BULKHEAD RECEPTACLE

OVERVIEW	APEX NO.	PAGE
	U-531	24
	U-512	24
	U-551	24

OVERVIEW	APEX NO.	PAGE
	U-527	24
	U-532	24

# ORDERING INFORMATION

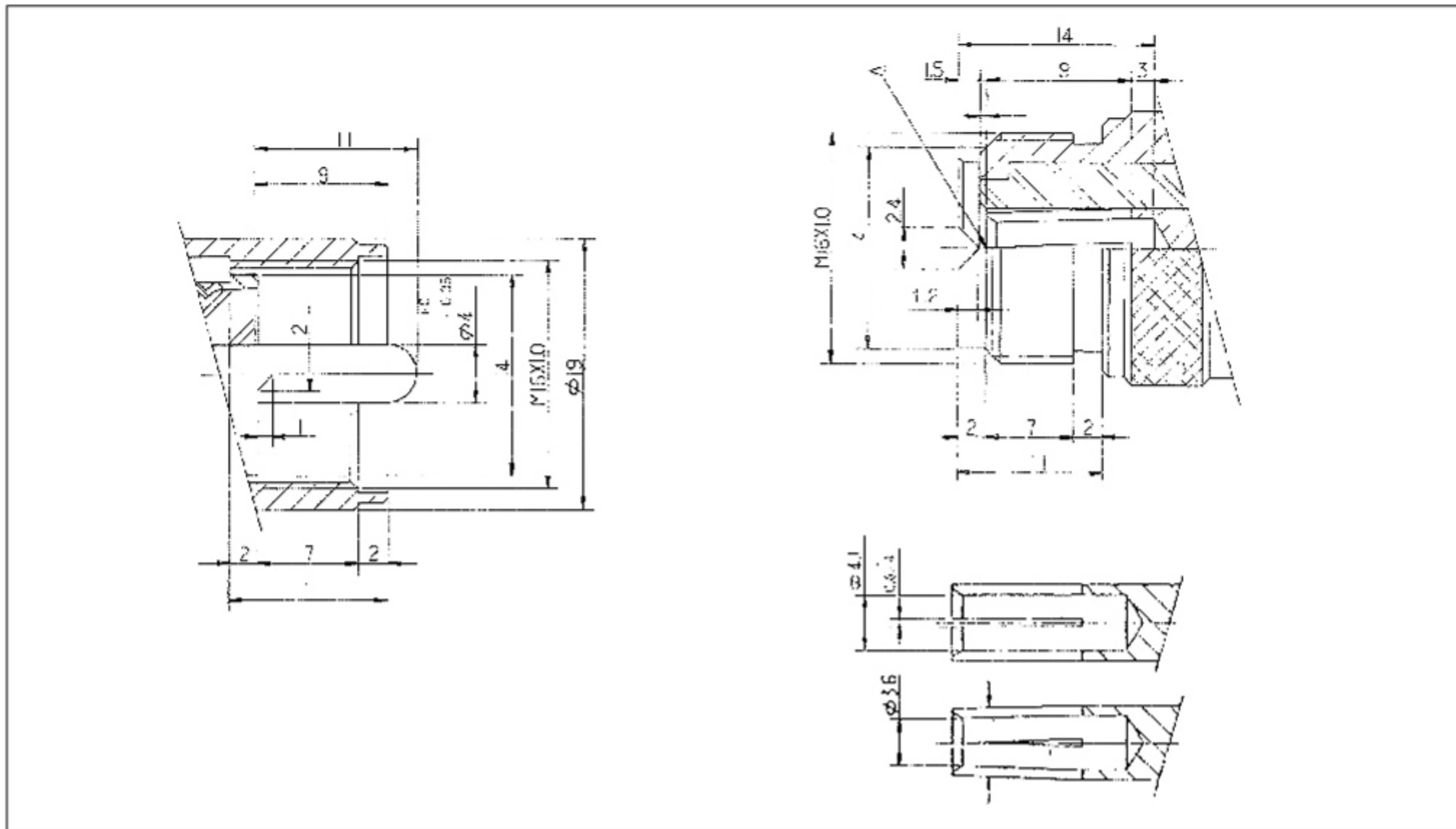
## U-501A - B S N T



## Electrical Specifications

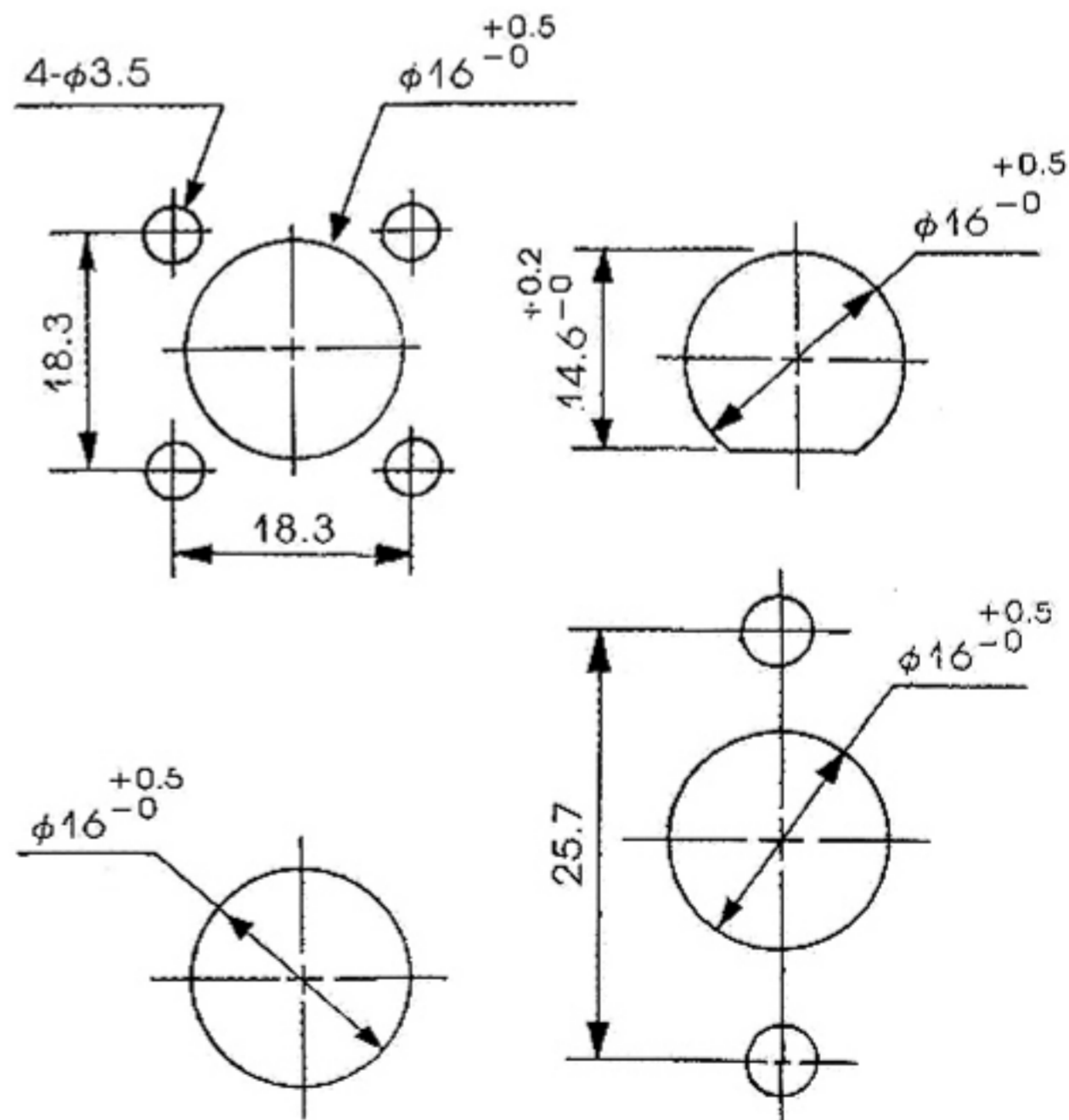
Standard cross reference	: MIL-C-39012, JIS-C-5419
Voltage rating	: AC 500V
Withstanding voltage	: AC 1,000V one minute
Insulation resistance	: 100MΩ max. at DC 500V
Contact resistance	: 3MΩ max.DC 1A
Connection	: M-type M16 x P1, UHF-type 5/8-24NEF-2A, 2B

## Series Interface



## Molding Holes

APEX NO.	A	B	C	D
U-506		○		
U-509		○		
U-511		○		
U-512				
U-518	○		○	
U-519		○		
U-521			○	
U-522		○		
U-523		○		
U-527				○
U-531			○	
U-532		○		
U-545			○	
U-547		○		
U-549	○			
U-550	○			
U-551	○			
U-553		○		
U-556		○		
U-558	○			
U-561	○			

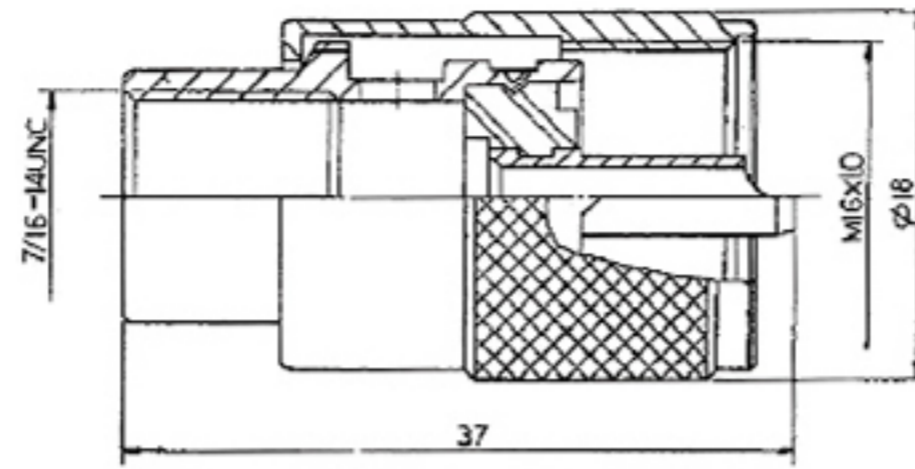


## UHF(M) TWIST

U-503



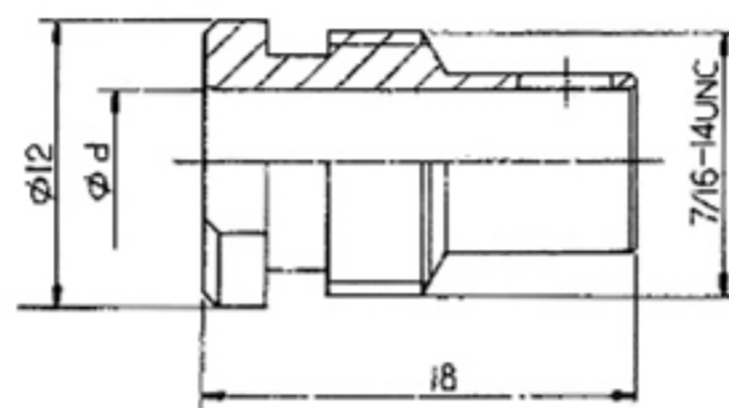
UHF MALE TWIST TYPE (PL-259)



UG-175



REDUCER

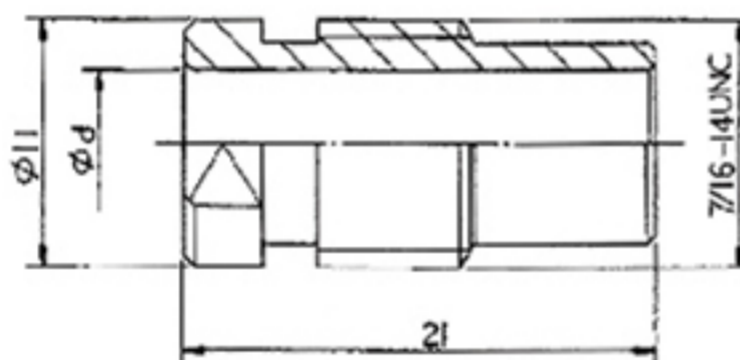


APEX NO.	FOR RG-( )/U ( ) D CABLE	Ø d	AMPHENOL NO.
U-503A	58, 141, 142	5.4	175-U
U-503B	59, 62, 71, 140, 210	6.5	176-U

UG-176



REDUCER

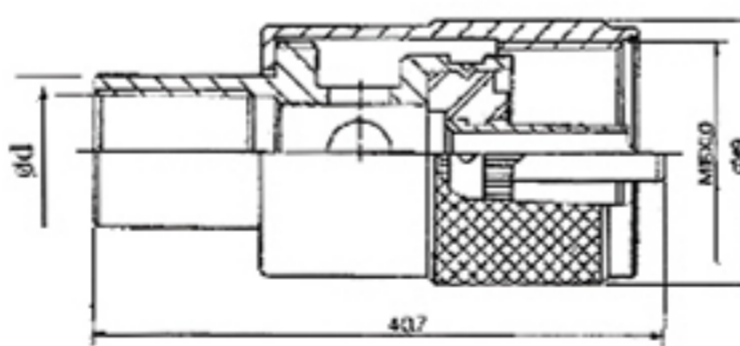


APEX NO.	FOR RG-( )/U ( ) D CABLE	Ø d	AMPHENOL NO.
U-503C	58, 141, 142	5.4	175-U
U-503D	59, 62, 71, 140, 210	6.5	176-U

U-537



UHF MALE TWIST TYPE

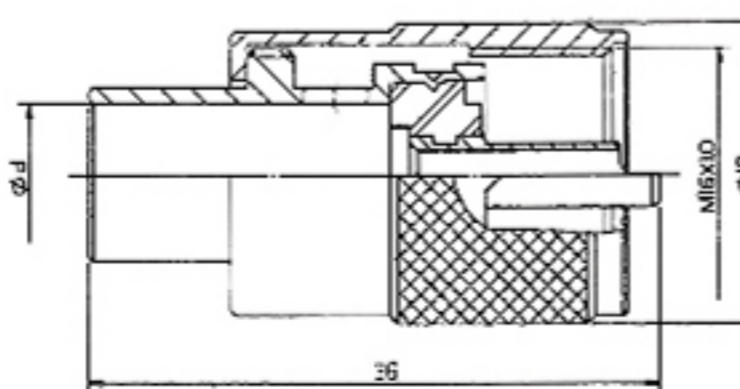


APEX NO.	FOR RG-( )/U ( ) D CABLE	Ø d	AMPHENOL NO.
U-537A	58, 141, 142	5.4	-
U-537B	59, 62, 71, 140, 210	6.5	-
U-537C	5C-2V	8.3	-
U-537D	7C-2V	10.5	
U-537E	8/U	9.8	

U-538



UHF MALE TWIST TYPE



APEX NO.	FOR RG-( )/U ( ) D CABLE	Ø d	AMPHENOL NO.
U-538A	58, 141, 142	5.4	-
U-538B	59, 62, 71, 140, 210	6.5	-
U-538C	5D	7.8	-
U-538D	8D	12.2	

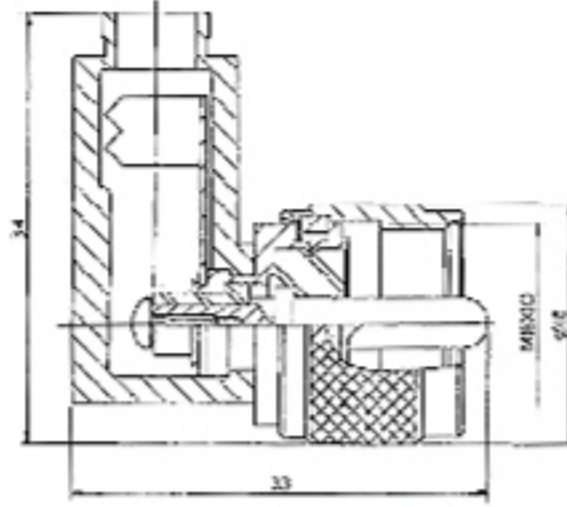


## UHF(M) TWIST

U-555



UHF MALE RIGHT ANGLE CAVE CRIMP TYPE

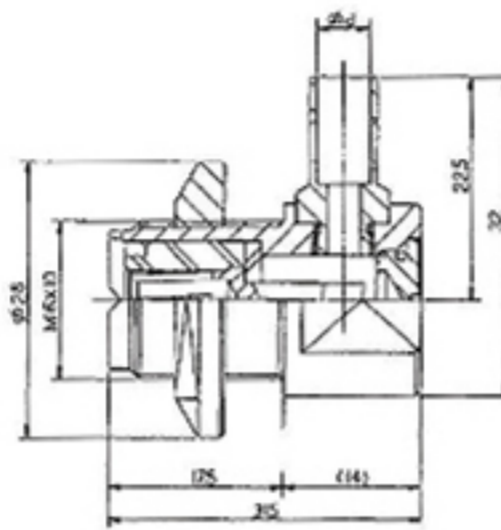


APEX NO.	FOR RG-( )/U ( ) D CABLE	Ø d	AMPHENOL NO.
U-555A	58, 141, 142	3.2	-
U-555B	59, 62, 71, 140, 210	3.9	-

U-509



UHF FEMALE RIGHT ANGLE TWIST TYPE

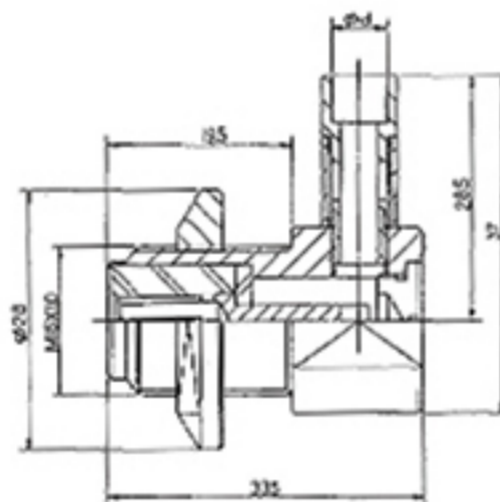


APEX NO.	FOR RG-( )/U ( ) D CABLE	Ø d	AMPHENOL NO.
U-509A	58, 141, 142	5.4	-
U-509B	59, 62, 71, 140, 210	6.5	-
U-509C	8D	10.8	-
U-509D	5D	7.8	-
U-509E	1.5D	3.4	-

U-519



UHF FEMALE RIGHT ANGLE TWIST TYPE

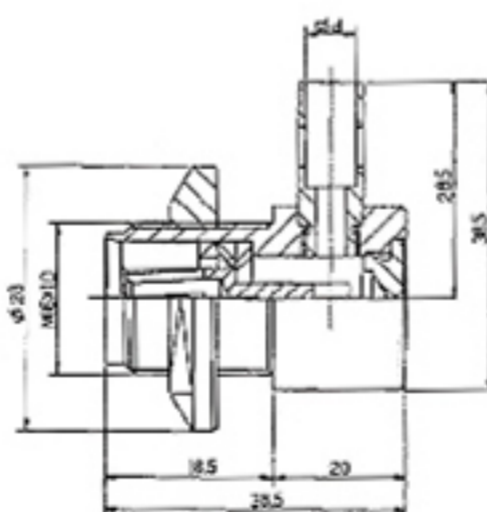


APEX NO.	FOR RG-( )/U ( ) D CABLE	Ø d	AMPHENOL NO.
U-519A	58, 141, 142	5.4	-
U-519B	59, 62, 71, 140, 210	6.5	-
U-519C	8D	10.8	-
U-519D	5D	7.8	-
U-519E	1.5D	3.4	-

U-523



UHF FEMALE RIGHT ANGLE TWIST TYPE

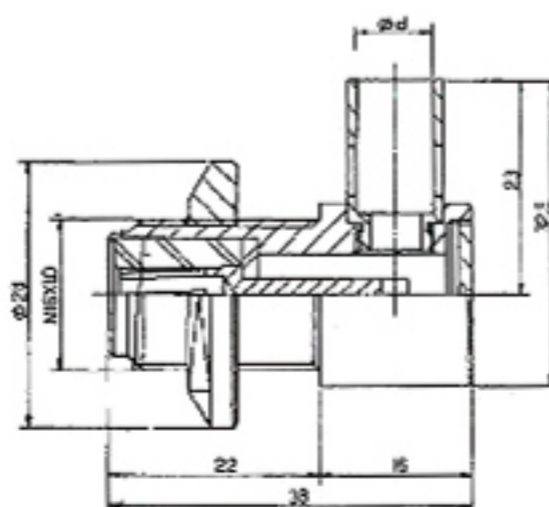


APEX NO.	FOR RG-( )/U ( ) D CABLE	Ø d	AMPHENOL NO.
U-523A	58, 141, 142	5.4	-
U-523B	59, 62, 71, 140, 210	6.5	-
U-523C	8D	10.8	-
U-523D	5D	7.8	-
U-523E	1.5D	3.4	-

U-553



UHF FEMALE RIGHT ANGLE TYPE



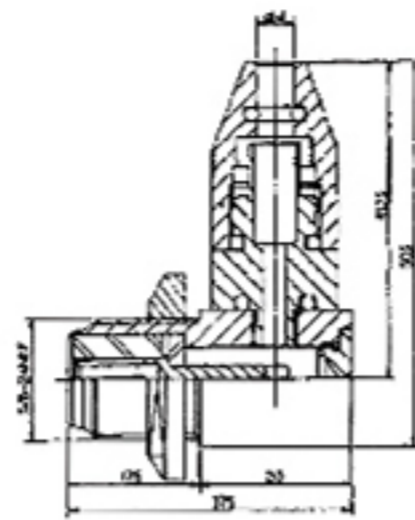
APEX NO.	FOR RG-( )/U ( ) D CABLE	Ø d	AMPHENOL NO.
U-553A	58, 141, 142	5.4	-
U-553B	59, 62, 71, 140, 210	6.5	-
U-553C	8D	10.8	-
U-553D	5D	7.8	-
U-553E	1.5D	3.4	-

## UHF(M) TWIST

U-522



### UHF FEMALE RIGHT ANGLE WATER-PROOF TYPE

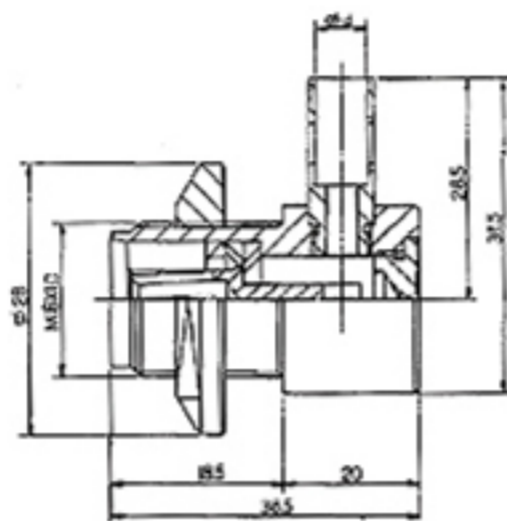


APEX NO.	FOR RG-( )/U ( ) D CABLE	Ø d	AMPHENOL NO.
U-522A	58, 141, 142	5.4	-
U-522B	59, 62, 71, 140, 210	6.5	-

U-554



### UHF MALE RIGHT ANGLE TYPE

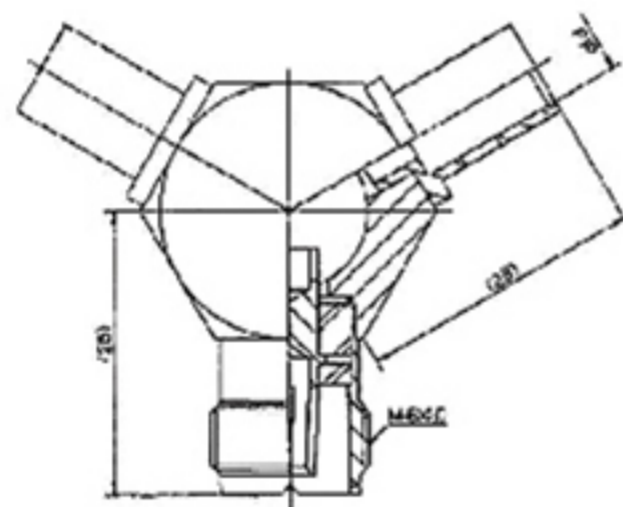


APEX NO.	FOR RG-( )/U ( ) D CABLE	Ø d	AMPHENOL NO.
U-554A	58, 141, 142	5.4	-
U-554B	59, 62, 71, 140, 210	6.5	-

U-572



### UHF COAXIAL CABLE CURRENT TAP TYPE

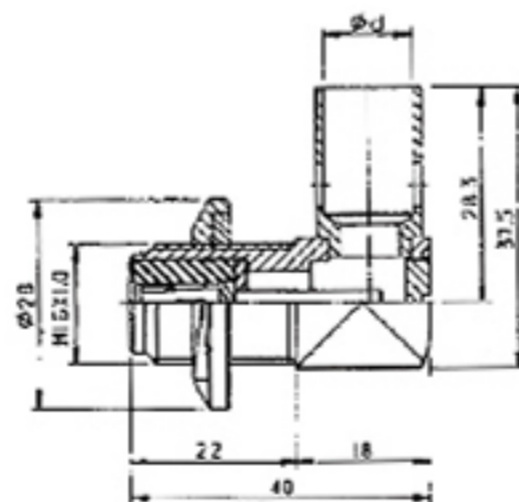


APEX NO.	FOR RG-( )/U ( ) D CABLE	Ø d	AMPHENOL NO.
U-572A	58, 141, 142	5.4	-
U-572B	59, 62, 71, 140, 210	6.5	-
U-572C	8D	10.8	-
U-572D	5D	7.8	-
U-572E	1.5D	3.4	-

U-585



### UHF FEMALE RIGHT ANGLE TYPE

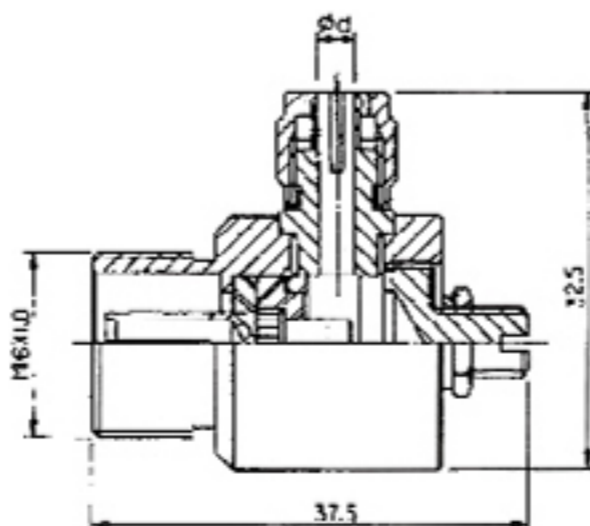


APEX NO.	FOR RG-( )/U ( ) D CABLE	Ø d	AMPHENOL NO.
U-585	58U	3.3	

U-586



### UHF FEMALE RIGHT ANGLE SCREW LOOK TYPE



APEX NO.	FOR RG-( )/U ( ) D CABLE	Ø d	AMPHENOL NO.
U-586	8D-2V	12	



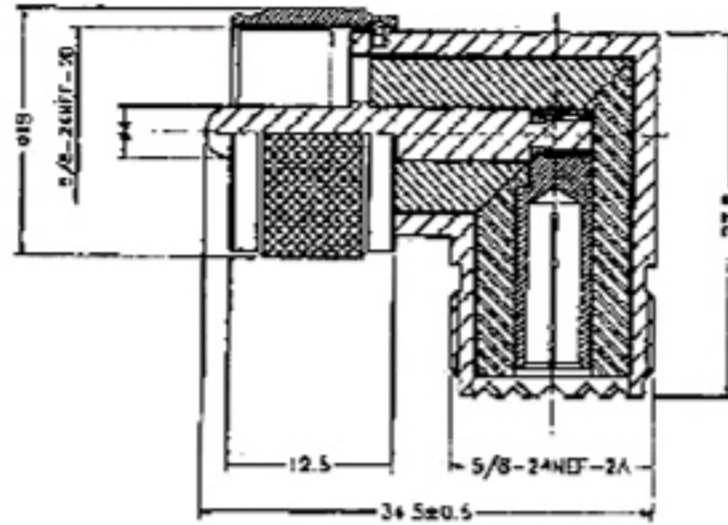
UHF FEMALE RIGHT ANGLE WATER-PROOF TYPE

UHF(M) TWIST

U-507A



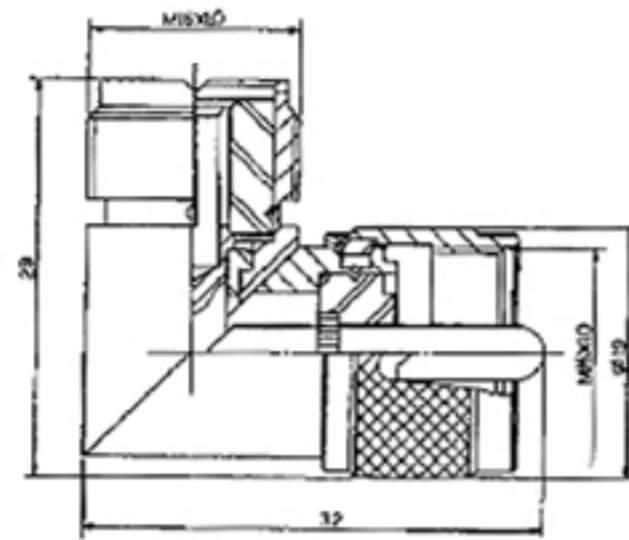
UHF RIGHT ANGLE MALE TO FEMALE (UG-646)(M-LA-PJ)



U-507



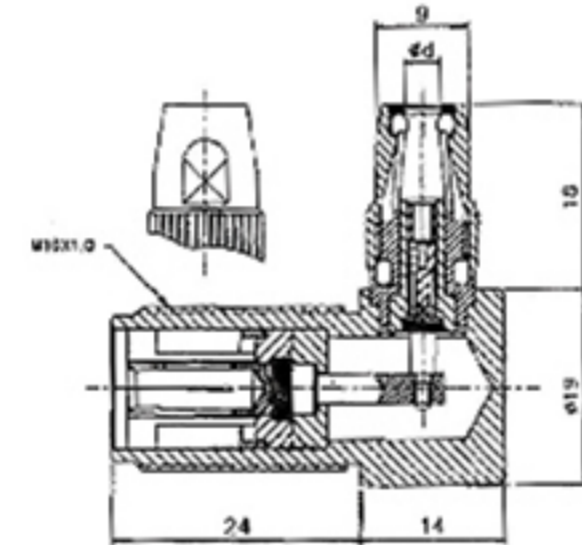
UHF RIGHT ANGLE MALE TO FEMALE (M-LA-PJ)



U-593A



UHF FEMALE RIGHT ANGLE TWIST TYPE

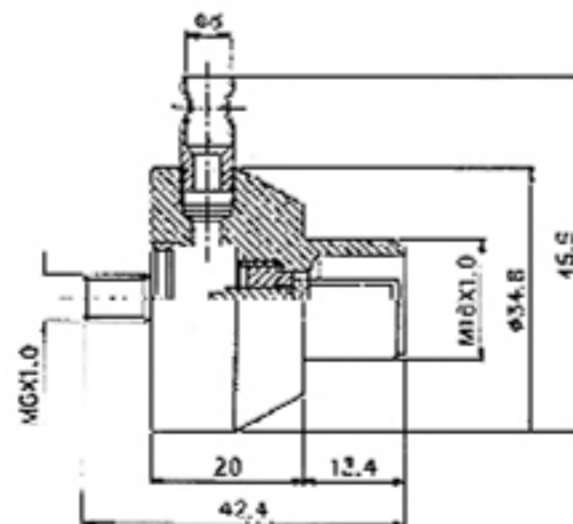


APEX NO.	FOR RG-( )/U ( ) D CABLE	Ø d	AMPHENOL NO.
U-593A	1.5D, 188	3.5	

U-591A



UHF FEMALE ANGLE TWIST TYPE

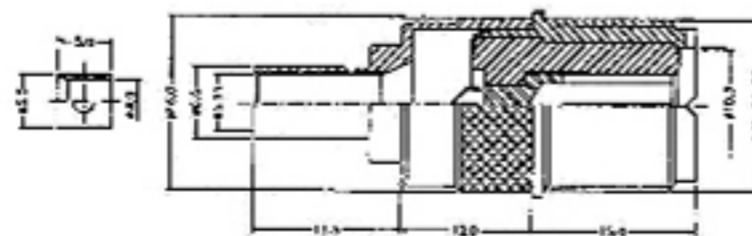


APEX NO.	FOR RG-( )/U ( ) D CABLE	Ø d	AMPHENOL NO.
U-591A	58, 141, 142	5.8	-

U-592A



UHF FEMALE TYPE



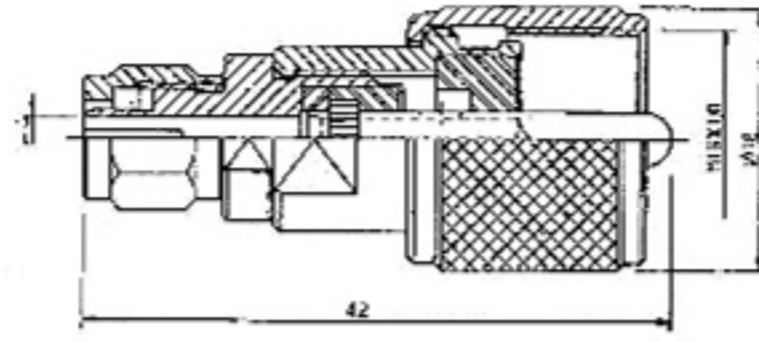
APEX NO.	FOR RG-( )/U ( ) D CABLE	Ø d	AMPHENOL NO.
U-592A	58, 141, 142	5.4	-
U-592B	59, 62, 71, 140, 210	6.5	-
U-592C	8D	10.8	-
U-592D	5D	7.8	-
U-592E	1.5D	3.4	-

## UHF(M) TWIST

U-587



UHF MALE SCREW LOOK TYPE

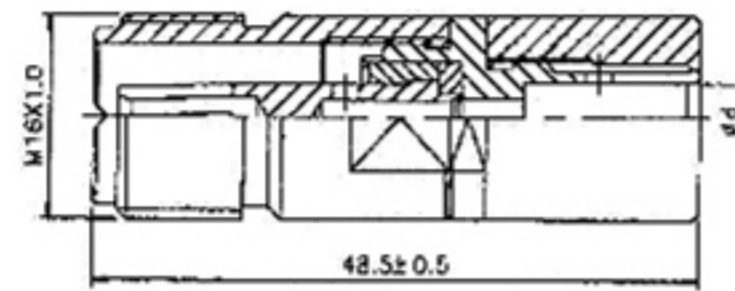


APEX NO.	FOR RG-( )/U ( ) D CABLE	Ø d	AMPHENOL NO.
U-587A	58, 141, 142	3.2	-
U-587B	8U	7.6	-
U-587C	7C-2V	7.5	-

U-584



UHF FEMALE SOLDERESS TYPE

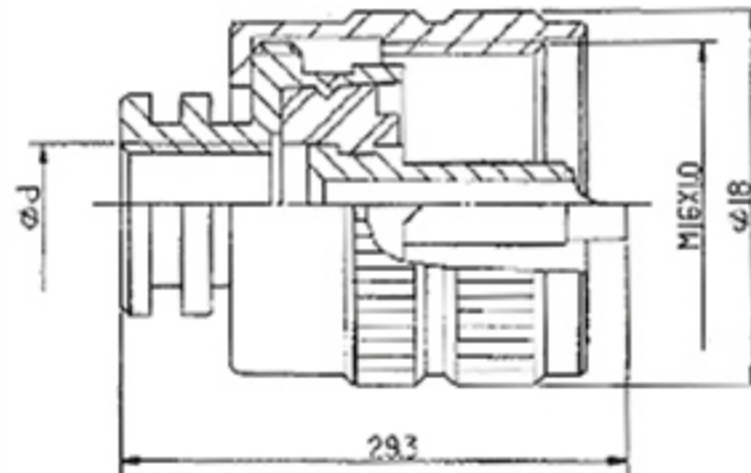


APEX NO.	FOR RG-( )/U ( ) D CABLE	Ø d	AMPHENOL NO.
U-584A	58U	5.4	-
U-584B	8U	10.8	-

U-579



UHF MALE TWIST TYPE

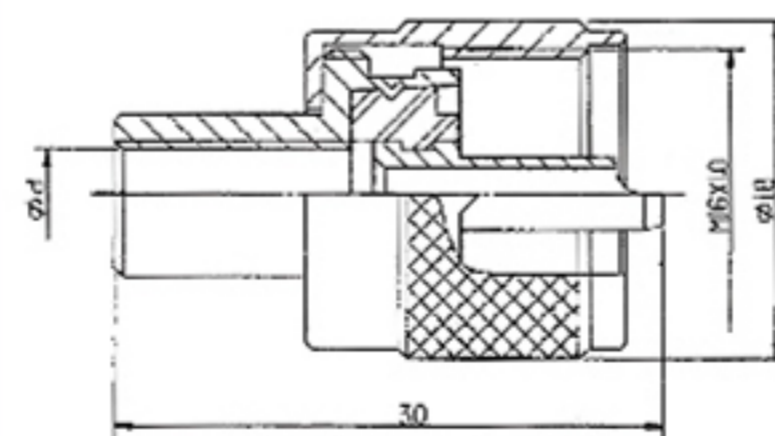


APEX NO.	FOR RG-( )/U ( ) D CABLE	Ø d	AMPHENOL NO.
U-579A	58, 141, 142	5.4	-
U-579B	59, 62, 71, 140, 210	6.5	-
U-579C	8D	10.8	-
U-579D	5D	7.8	-
U-579E	1.5D	3.4	-

U-582



UHF MALE RIGHT TWIST TYPE

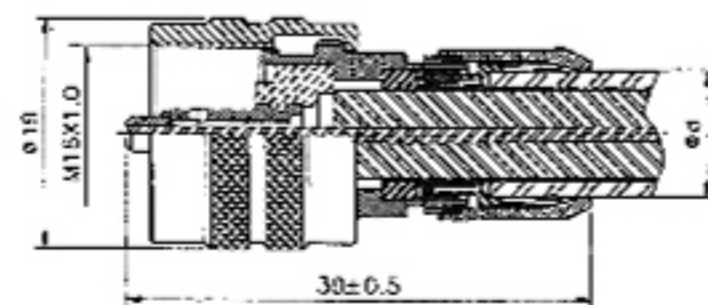


APEX NO.	FOR RG-( )/U ( ) D CABLE	Ø d	AMPHENOL NO.
U-582A	58, 141, 142	5.4	-
U-582B	59, 62, 71, 140, 210	6.5	-
U-582C	8D	10.8	-
U-582D	5D	7.8	-
U-582E	1.5D	3.4	-

U-596



UHF MALE SCREW LOOK TYPE



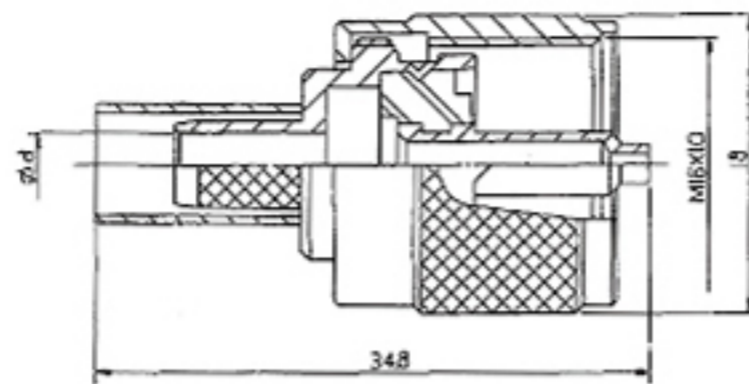
APEX NO.	FOR RG-( )/U ( ) D CABLE	Ø d	AMPHENOL NO.
U-596A	7C-2V	10.5	-
U-596B	5C-2V	8.7	-

## UHF(M) CRIMP

U-513



UHF MALE CRIMP TYPE

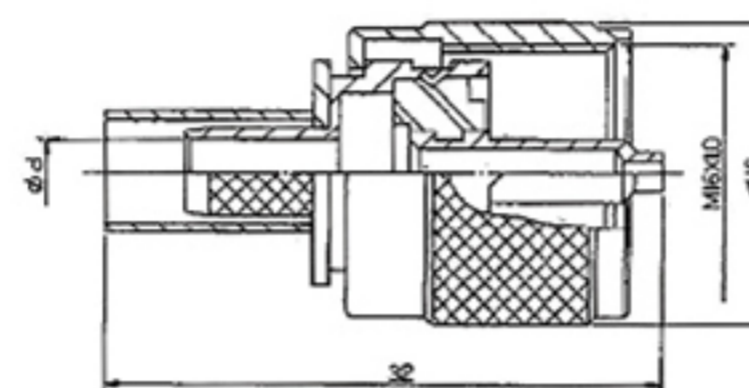


APEX NO.	FOR RG-( )/U ( ) D CABLE	Ø d	AMPHENOL NO.
U-513A	58, 141, 142	3.2	-
U-513B	59, 62, 71, 140, 210	3.9	-
U-513C	8	7.5	83-8DCP

U-526



UHF MALE CRIMP TYPE

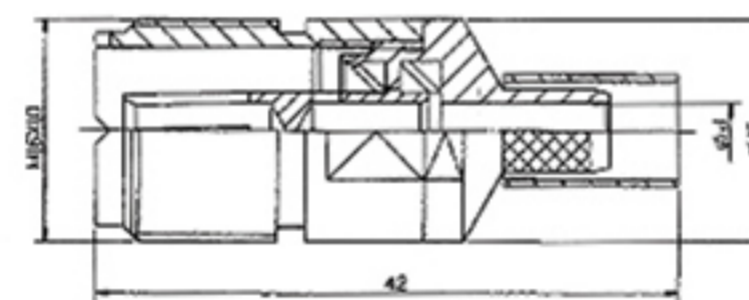


APEX NO.	FOR RG-( )/U ( ) D CABLE	Ø d	AMPHENOL NO.
U-526A	58, 141, 142	3.2	-
U-526B	59, 62, 71, 140, 210	3.9	-

U-543



UHF FEMALE CRIMP TYPE

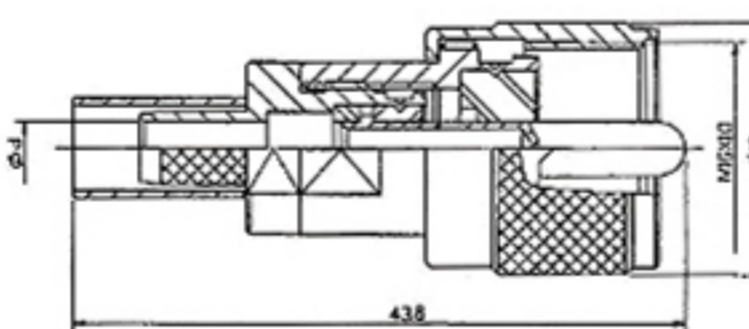


APEX NO.	FOR RG-( )/U ( ) D CABLE	Ø d	AMPHENOL NO.
U-543A	58, 141, 142	3.2	
U-543B	56, 62, 71, 140, 210	3.9	

U-548



UHF MALE CRIMP TYPE

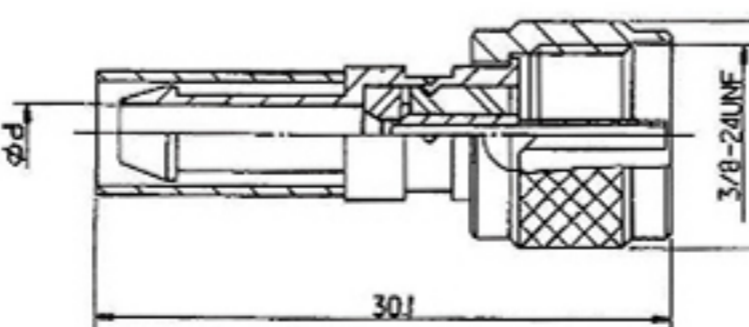


APEX NO.	FOR RG-( )/U ( ) D CABLE	Ø d	AMPHENOL NO.
U-548A	58, 141, 142	3.2	-
U-548B	59, 62, 71, 140, 210	3.9	
U-548C	5D	8.7	

U-524



MINI UHF MALE CRIMP TYPE



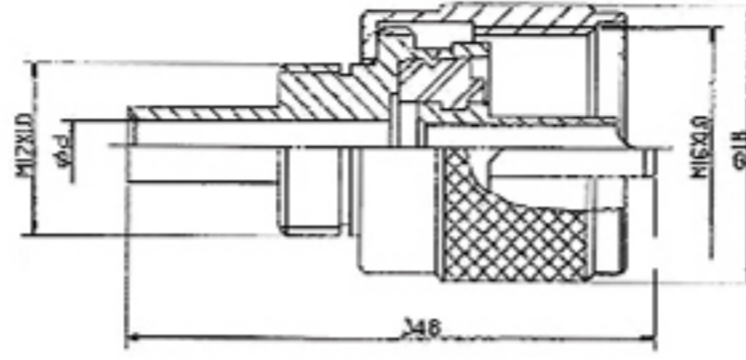
APEX NO.	FOR RG-( )/U ( ) D CABLE	Ø d	AMPHENOL NO.
U-524A	58, 141, 142	5.4	-
U-524B	59, 62, 71, 140, 210	6.5	-
			-
			-

## UHF(M) CRIMP

U-580



### UHF MALE CRIMP TYPE

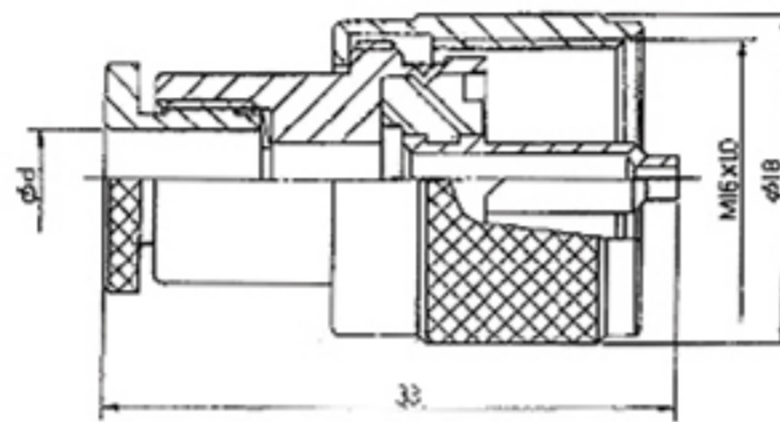


APEX NO.	FOR RG-( )/U ( ) D CABLE	Ø d	AMPHENOL NO.
U-580A	58, 141, 142	6.4	-
U-580B	59, 62, 71, 140, 210	6.5	-
U-580C	8D	10.8	-
U-580D	5D	7.8	-
U-580E	1.5D	3.4	-

U-501



### UHF FEMALE CLAMP TYPE

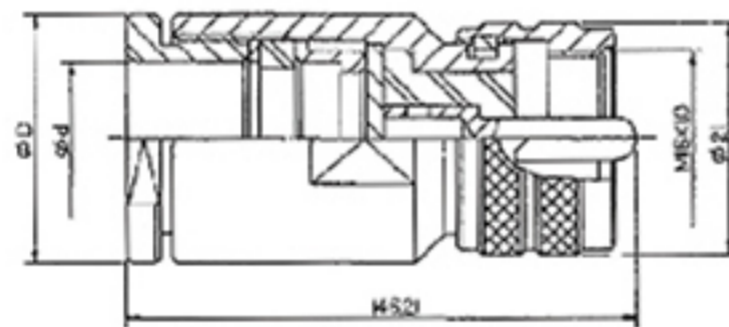


APEX NO.	FOR RG-( )/U ( ) D CABLE	Ø d	AMPHENOL NO.
U-501A	58, 141, 142	5.4	-
U-501B	59, 62, 71, 140, 210	6.5	-

U-541



### UHF MALE CLAMP TYPE

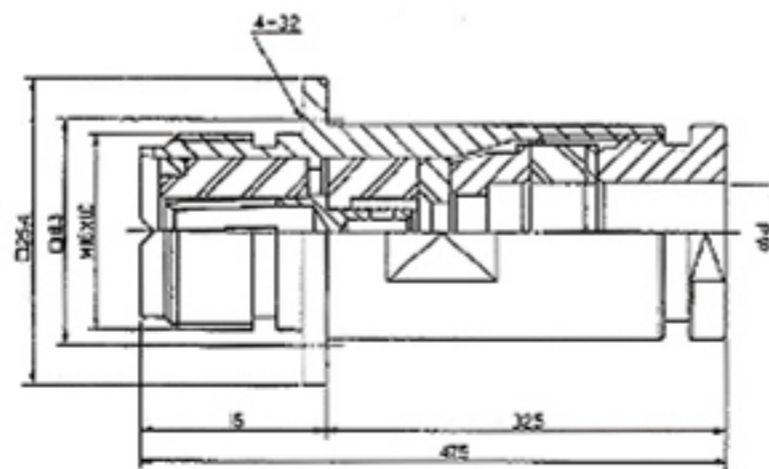


APEX NO.	FOR RG-( )/U ( ) D CABLE	Ø d	AMPHENOL NO.
U-541A	3D	6.9	-
U-541B	5D	8.7	-
U-541C	8D	11.6	-
U-541D	10D	13.6	-
U-541E	12D	16.4	-

U-550



### UHF FEMALE CHASSIS CLAMP TYPE



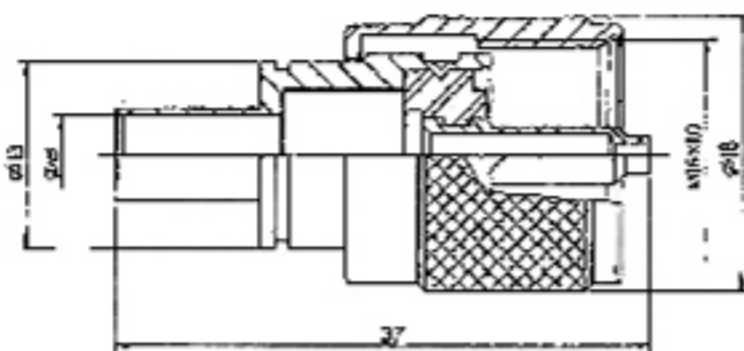
APEX NO.	FOR RG-( )/U ( ) D CABLE	Ø d	AMPHENOL NO.
U-550A	3D	6.9	-
U-550B	5D	8.7	-
U-550C	8D	11.6	-
U-550D	10D	13.6	-
U-550E	12D	16.4	-

# UHF(M) MOLDING

U-502



## UHF MALE MOLDING TYPE

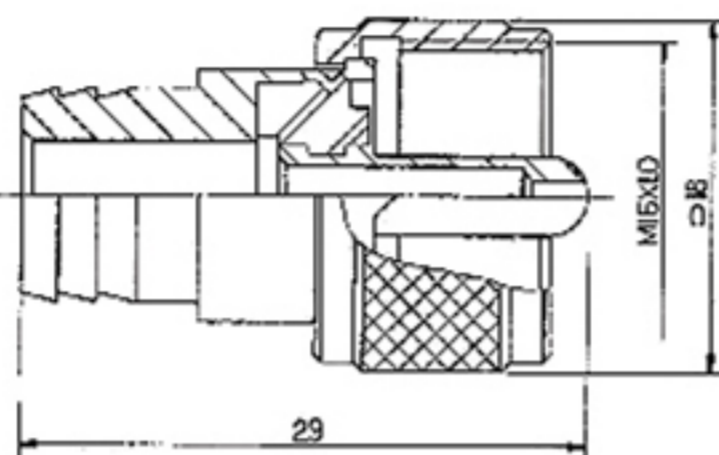


APEX NO.	FOR RG-( )/U ( ) D CABLE	$\phi d$	AMPHENOL NO.
U-502A	58, 141, 142	3.2	-
U-502B	59, 62, 71, 140, 210	3.9	-

U-514



## UHF MALE MOLDING TYPE

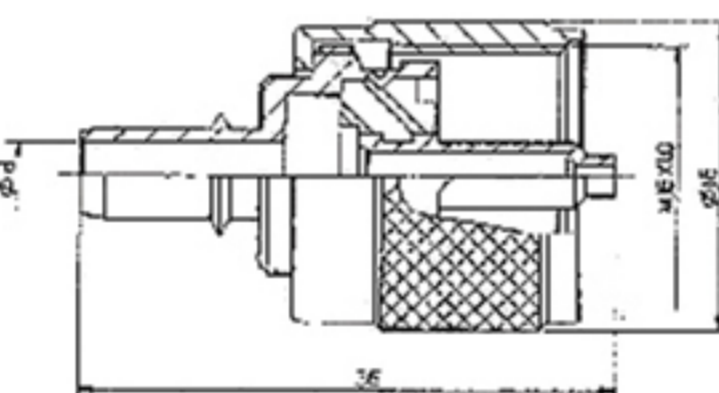


APEX NO.	FOR RG-( )/U ( ) D CABLE	$\phi d$	AMPHENOL NO.
U-514A	58, 141, 142	3.2	-
U-514B	59, 62, 71, 140, 210	3.9	-

U-525



## UHF FEMALE MOLDING TYPE

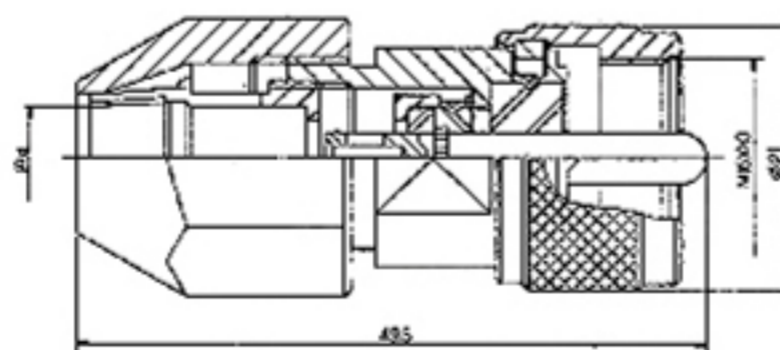


APEX NO.	FOR RG-( )/U ( ) D CABLE	$\phi d$	AMPHENOL NO.
U-525A	58, 141, 142	3.2	-
U-525B	56, 62, 71, 140, 210	3.9	-

U-559



## UHF MALE SCREW LOCK TYPE

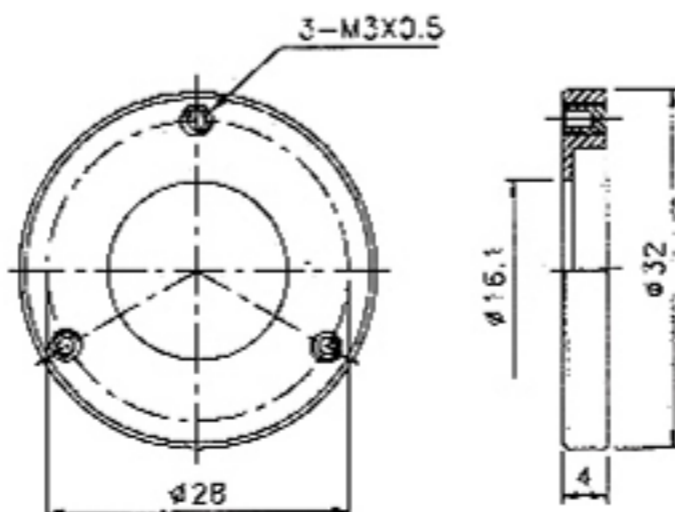


APEX NO.	FOR RG-( )/U ( ) D CABLE	$\phi d$	AMPHENOL NO.
U-559A	58, 141, 142	5.4	-
U-559B	59, 62, 71, 140, 210	6.5	-
U-559C	8D	12.2	-
U-559D	10D	14.4	-
U-559E	12D	16.4	-

Q-035



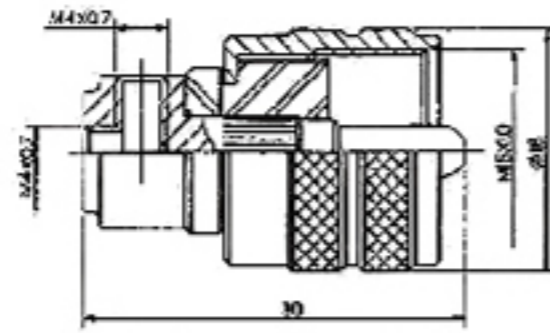
## ANTI-THEFT (METAL) DEVICE



## UHF(M) ANT

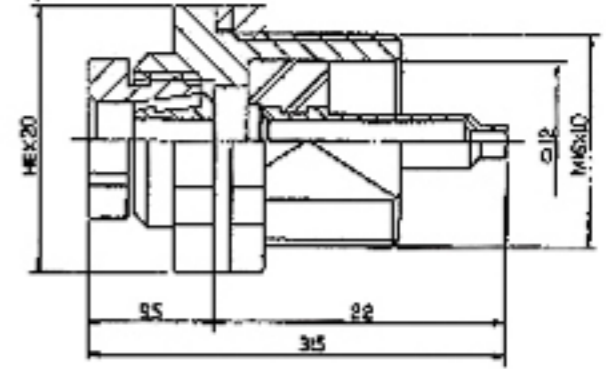
### UHF MALE ANT CONNECTORS

U-505



### UHF MALE TAPER TYPE

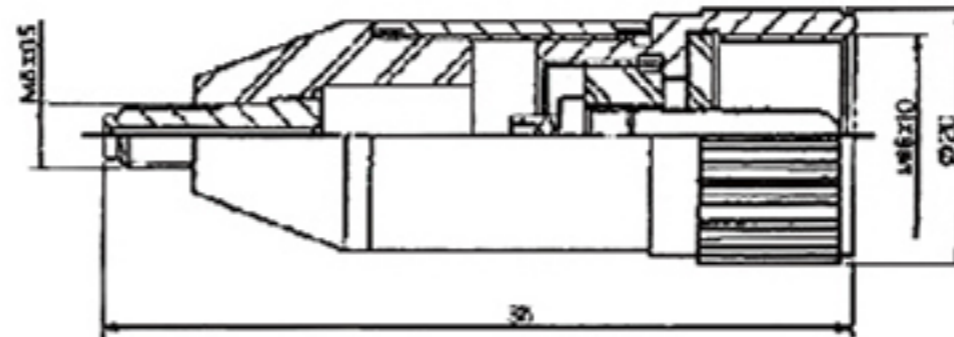
U-518



U-529



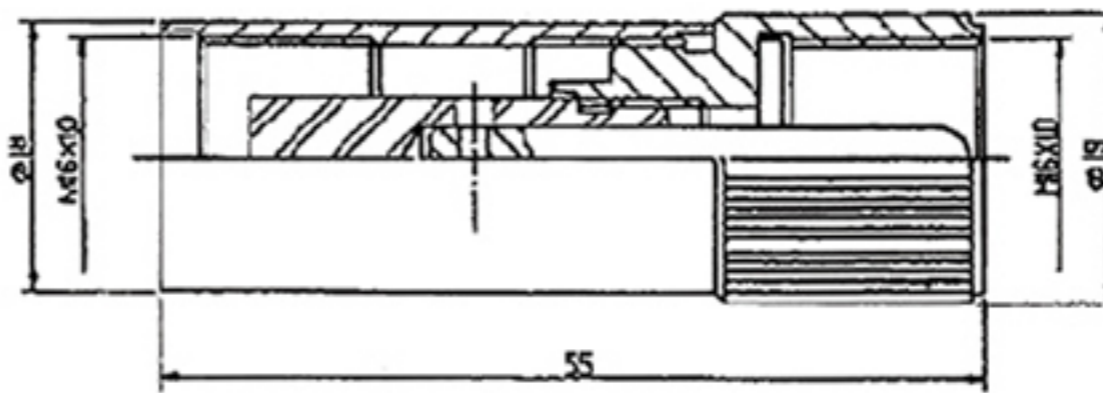
### UHF MALE ANT CONNECTORS



U-530



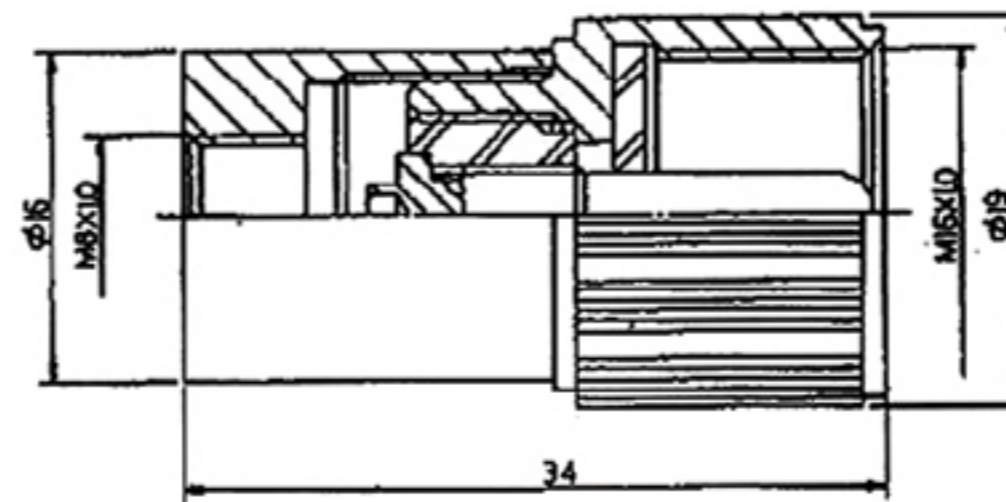
### UHF MALE ANT CONNECTORS



U-535



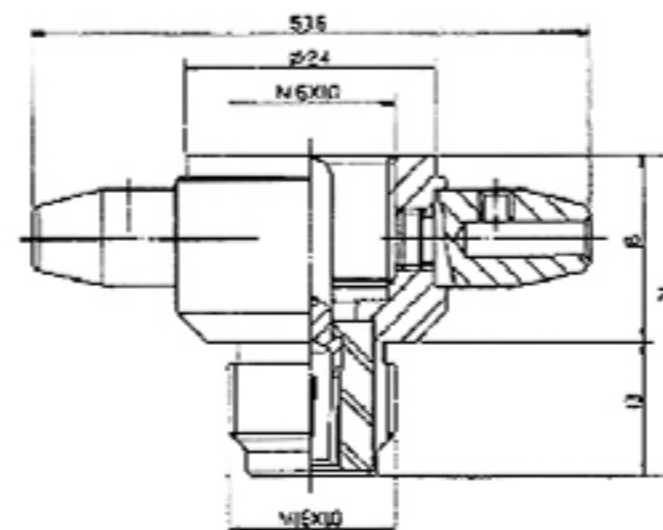
### UHF MALE ANT CONNECTORS



U-546



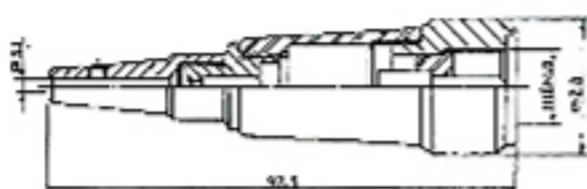
### UHF THREE-WAY ANT CONNECTORS



# UHF(M) ANT

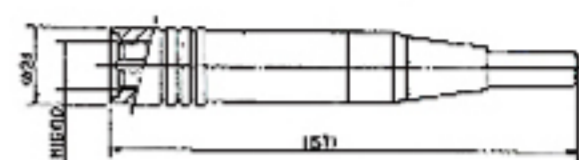
## UHF MALE ANT CONNECTORS

U-573



## UHF MALE ANT CONNECTORS

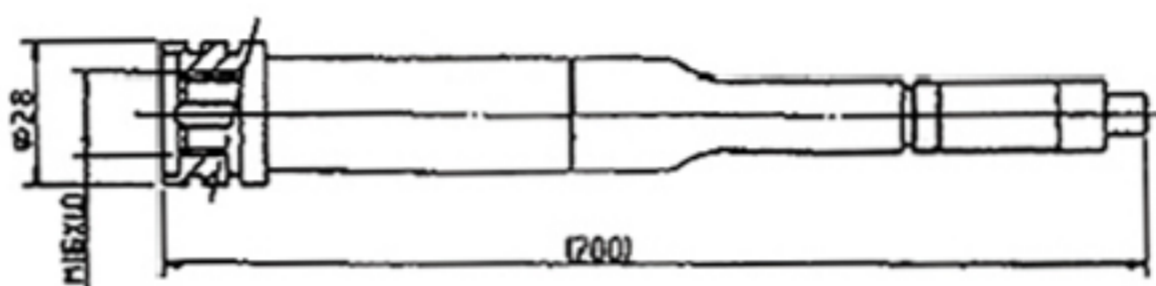
U-574



U-575



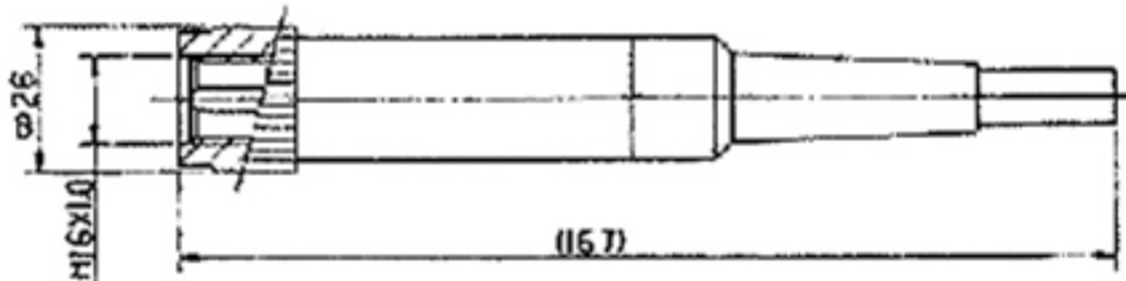
## UHF MALE ANT CONNECTORS



U-576



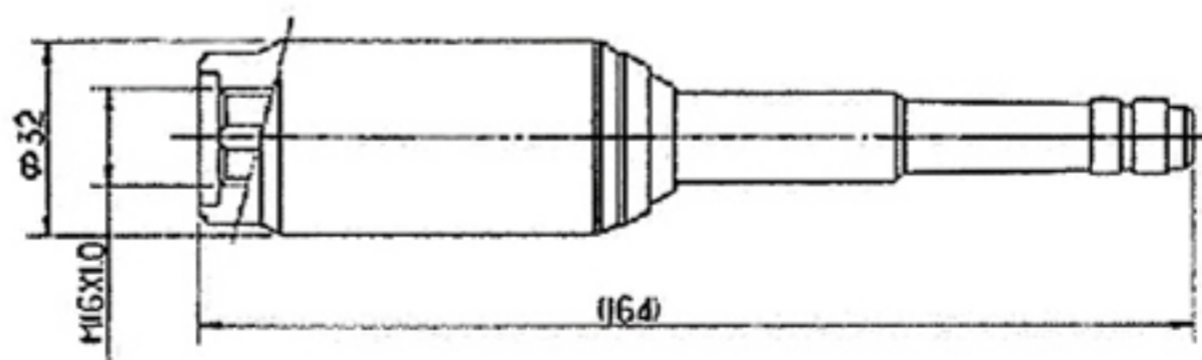
## UHF MALE ANT CONNECTORS



U-577



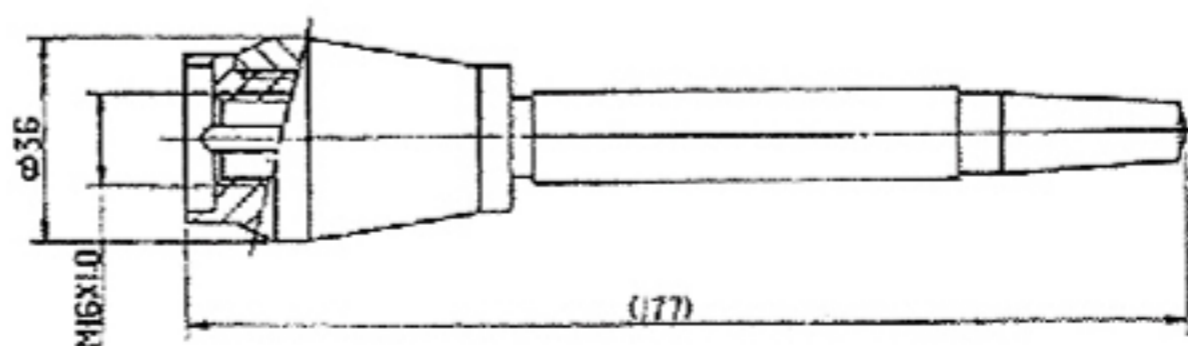
## UHF MALE ANT CONNECTORS



U-578



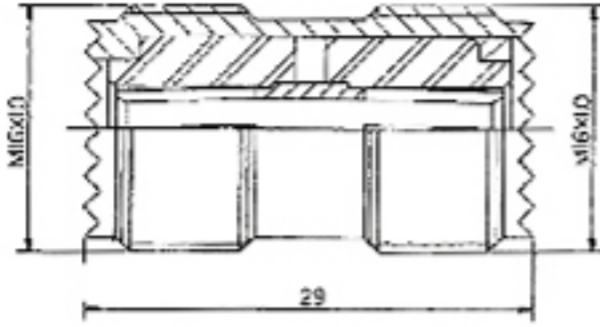
## ANTI-MALE ANT CONNECTORS



## UHF(M) ADAPTOR

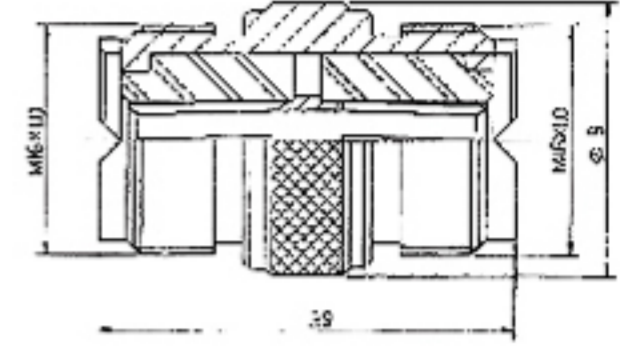
UHF DOUBLE-FEMALE (M-A-JJ)

U-504



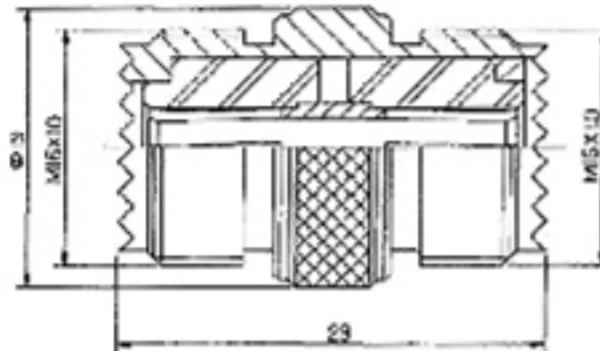
UHF DOUBLE-FEMALE (M-A-JJ)

U-517A



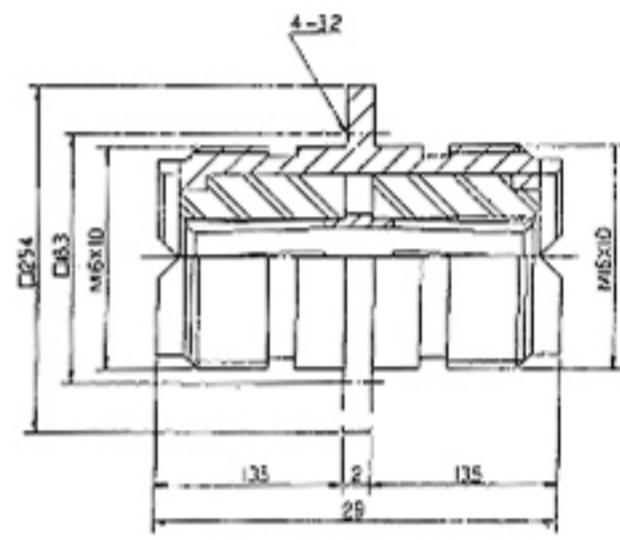
UHF DOUBLE-FEMALE (M-A-JJ)

U-504A



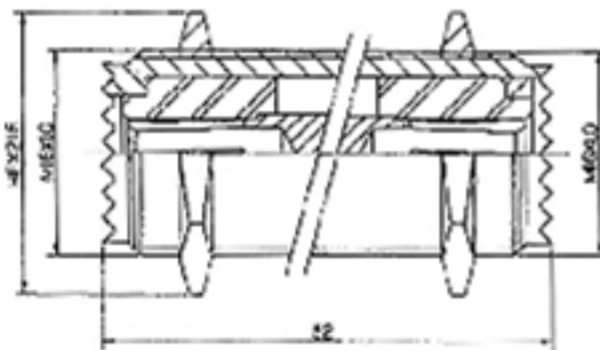
UHF DOUBLE-FEMALE (M-A-JJ)

U-549



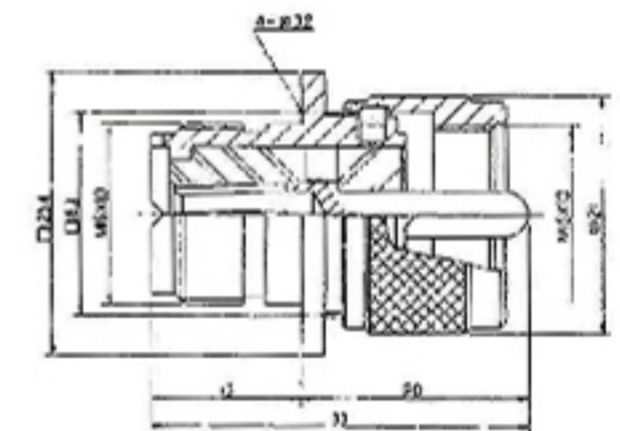
UHF DOUBLE-FEMALE (M-A-JJ)

U-504B



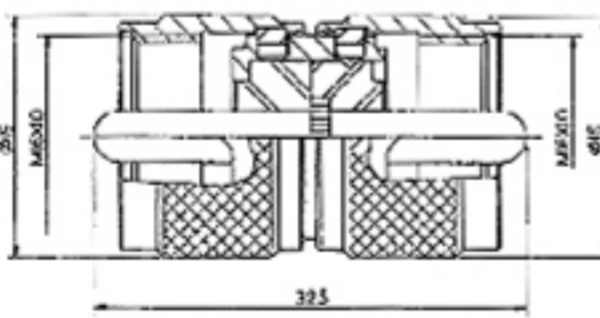
UHF MALE TO FEMALE (MP-JJ)

U-561



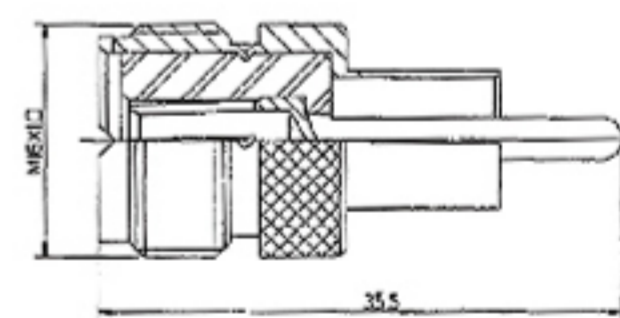
UHF DOUBLE-MALE (M-A-PP)

U-510



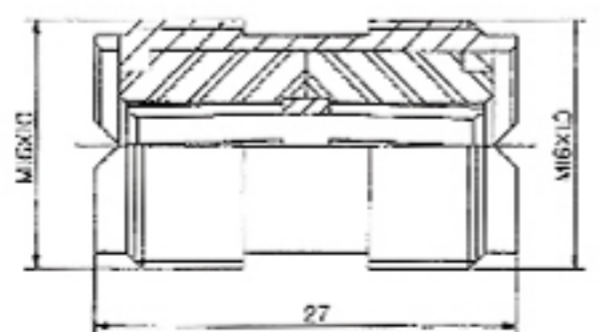
UHF FEMALE TO RCA MALE (MJ-RCAP)

U-508



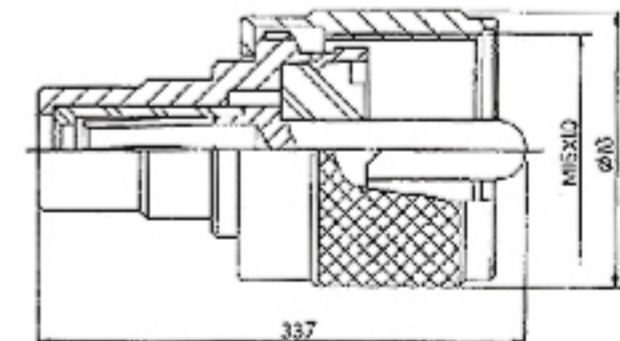
UHF DOUBLE-MALE (PL-258)(M-A-JJ)

U-517



UHF MALE TO RCA FEMALE (MP-RCAJ)

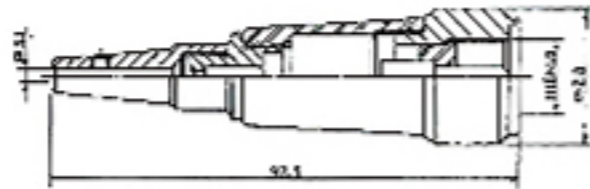
U-515



# UHF(M) ANT

## UHF MALE ANT CONNECTORS

U-573



## UHF MALE ANT CONNECTORS

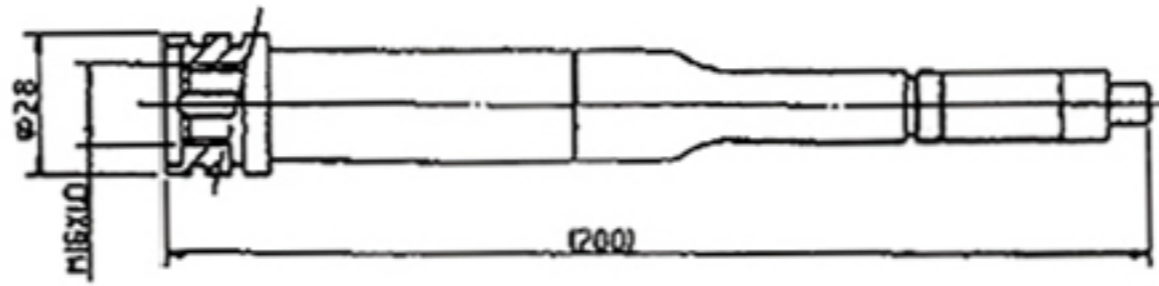
U-574



U-575



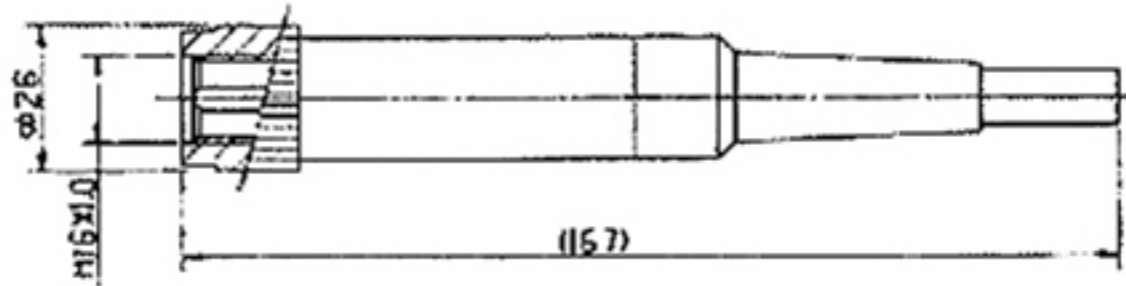
## UHF MALE ANT CONNECTORS



U-576



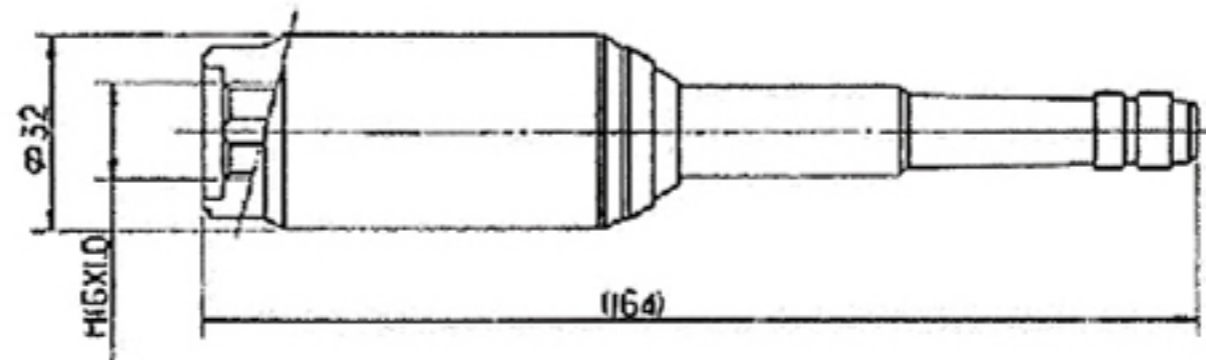
## UHF MALE ANT CONNECTORS



U-577



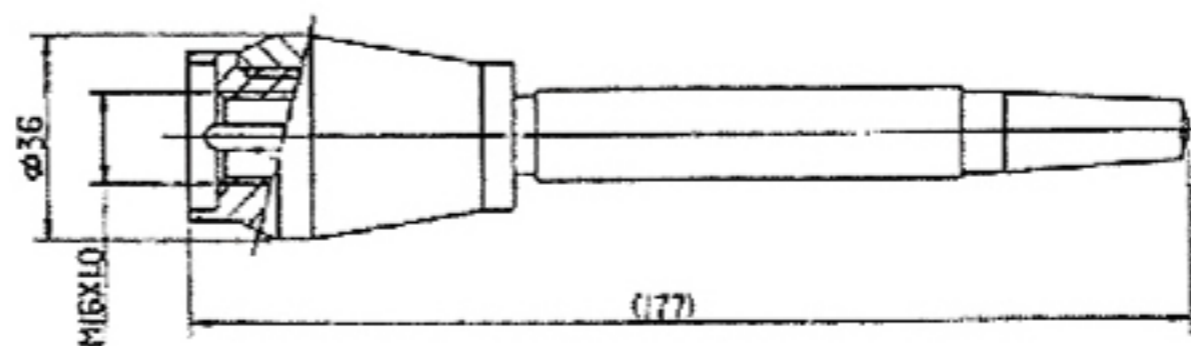
## UHF MALE ANT CONNECTORS



U-578



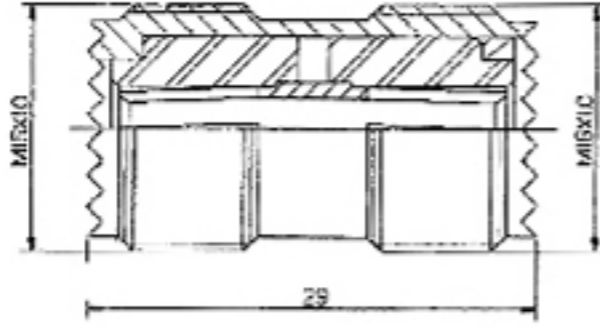
## ANTI-MALE ANT CONNECTORS



## UHF(M) ADAPTOR

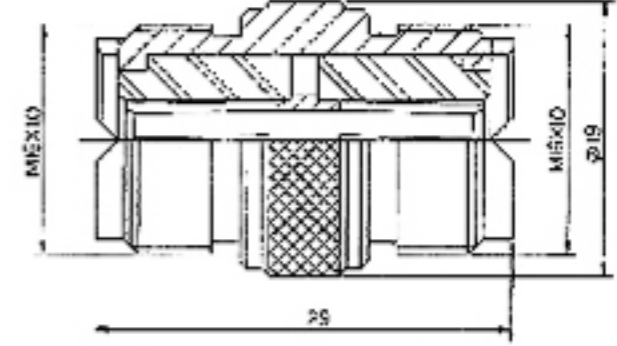
UHF DOUBLE-FEMALE (M-A-JJ)

U-504



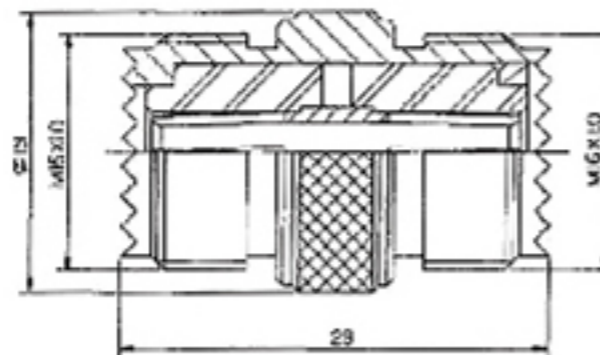
UHF DOUBLE-FEMALE (M-A-JJ)

U-517A



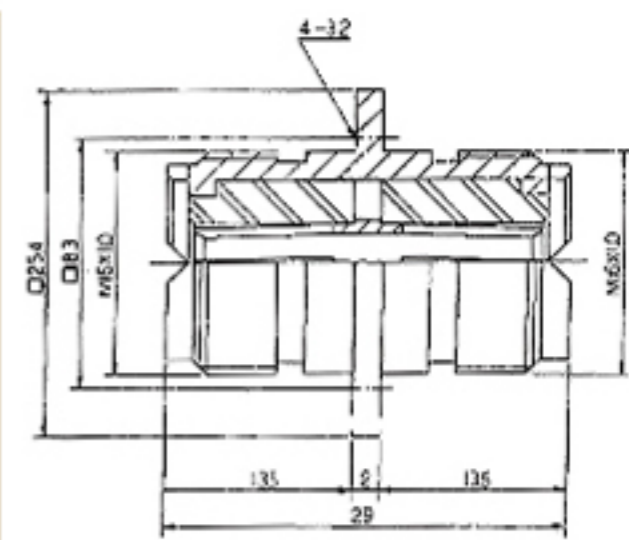
UHF DOUBLE-FEMALE (M-A-JJ)

U-504A



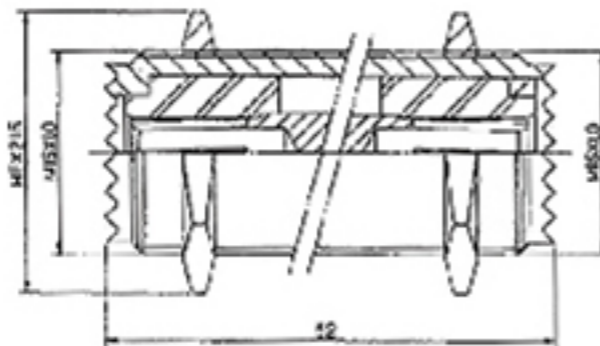
UHF DOUBLE-FEMALE (M-A-JJ)

U-549



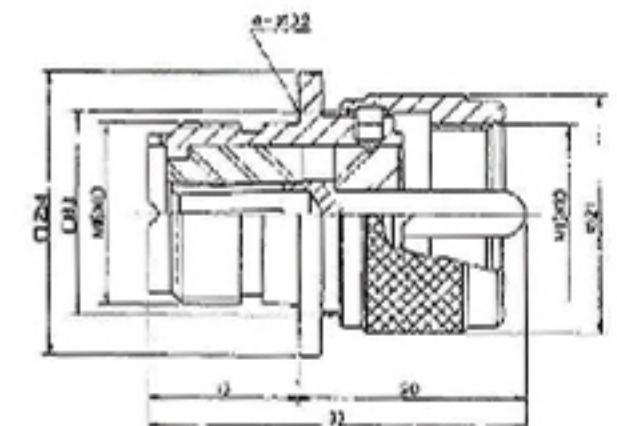
UHF DOUBLE-FEMALE (M-A-JJ)

U-504B



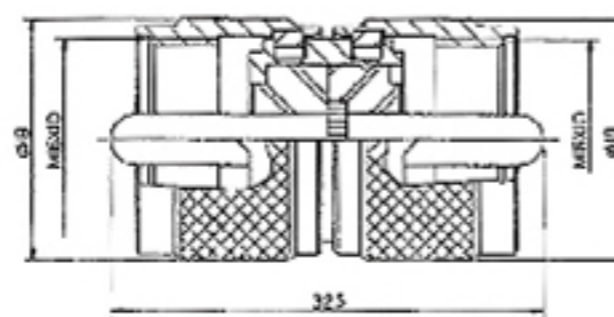
UHF MALE TO FEMALE (MP-JJ)

U-561



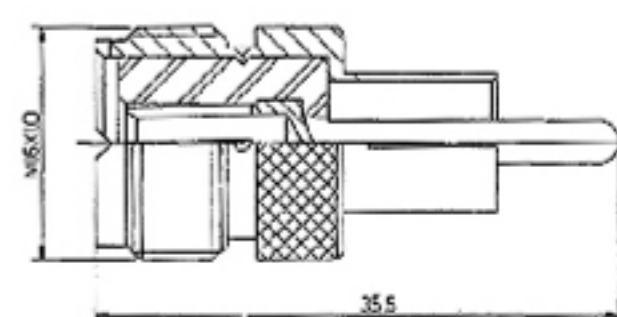
UHF DOUBLE-MALE (M-A-PP)

U-510



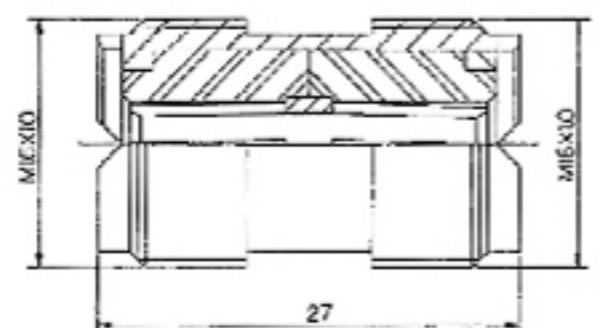
UHF FEMALE TO RCA MALE (MJ-RCAP)

U-508



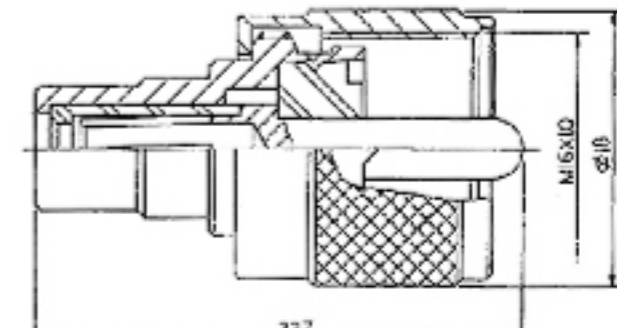
UHF DOUBLE-MALE (PL-258)(M-A-JJ)

U-517



UHF MALE TO RCA FEMALE (MP-RCAJ)

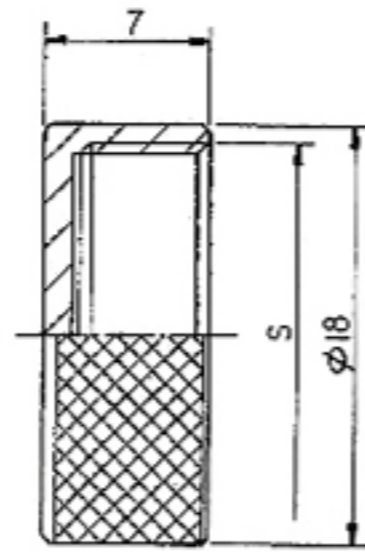
U-515



## UHF(M) CAP

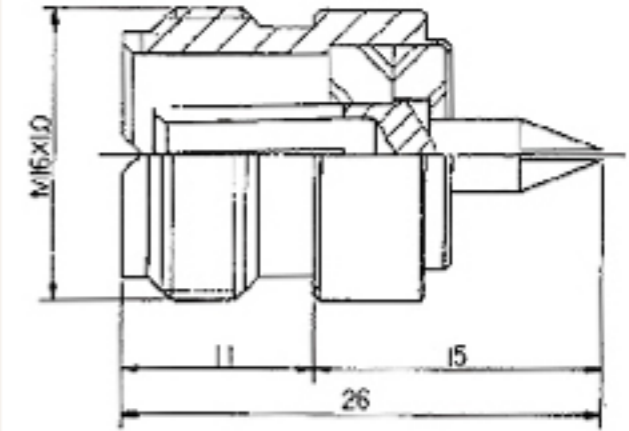
### UHF FEMALE CAP (M-JC)

U-C1



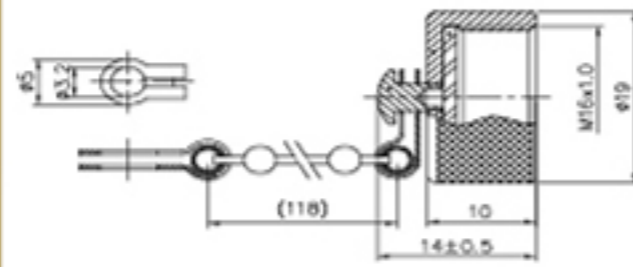
### UHF FEMALE CONNECTOR

U-533



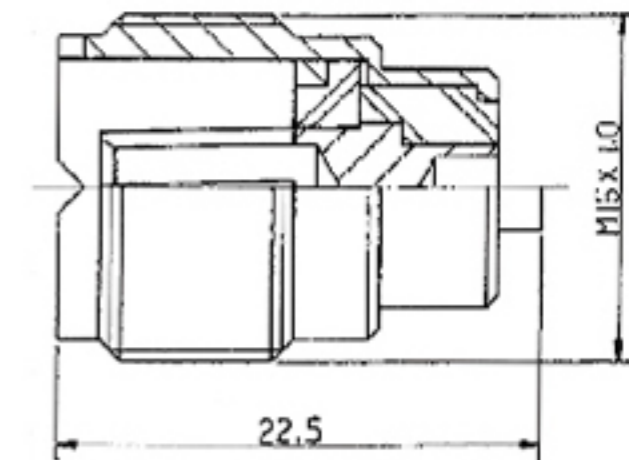
### UHF FEMALE CAP (M-JC)

PLT-16-RCa(U-C2)



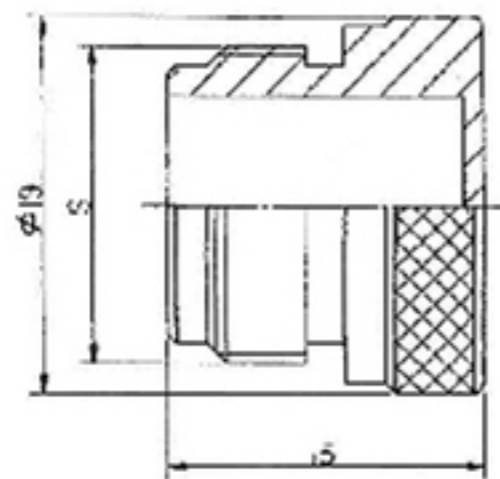
### UHF FEMALE RECEPTACLE

U-589



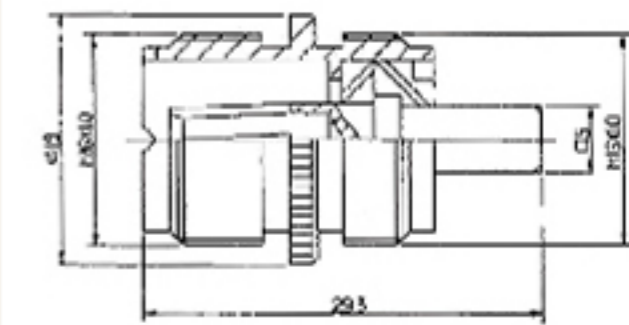
### UHF MALE CAP (M-PC)

U-C3



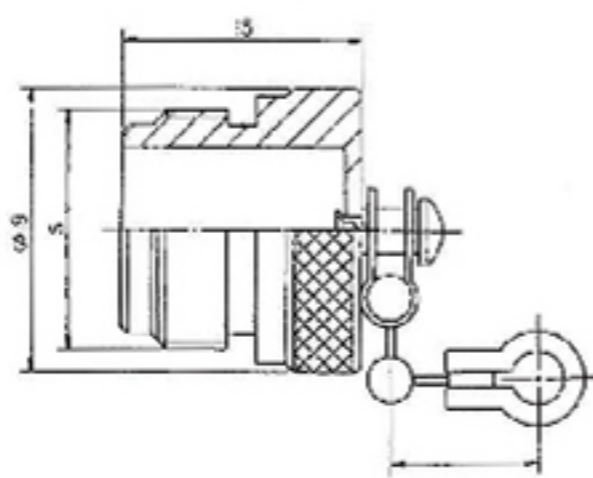
### UHF FEMALE BULKHEAD RECEPTACLE

U-581



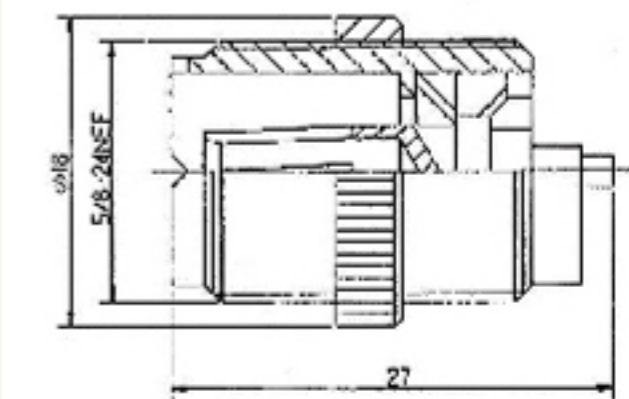
### UHF MALE CAP (M-PC)

U-C4



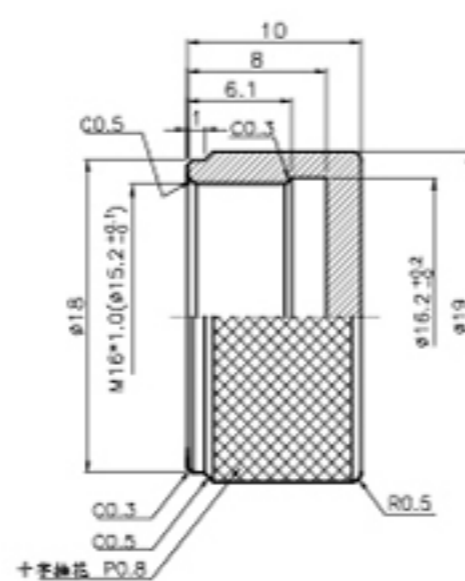
### UHF FEMALE BULKHEAD RECEPTACLE

U-583



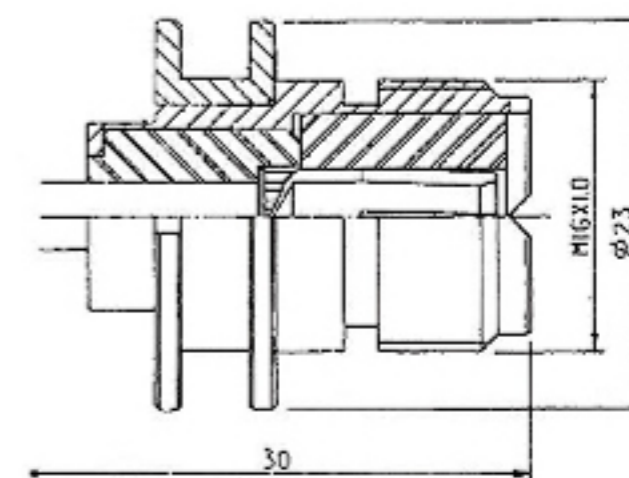
### UHF MALE CAP (M-JC)

U-C5



### UHF FEMALE CONNECTOR

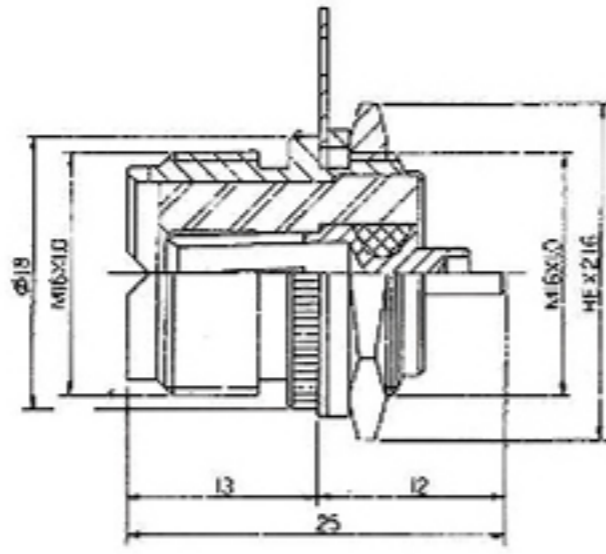
U-590



# UHF(M) BULKHEAD RECEPTACLE

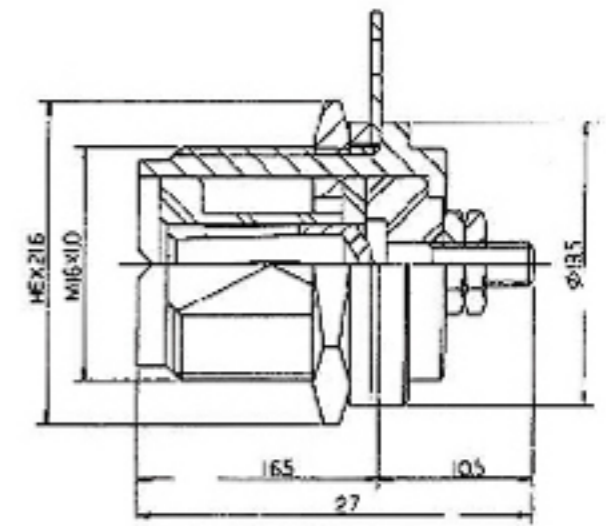
UHF FEMALE BULKHEAD RECEPTACLE

U-506



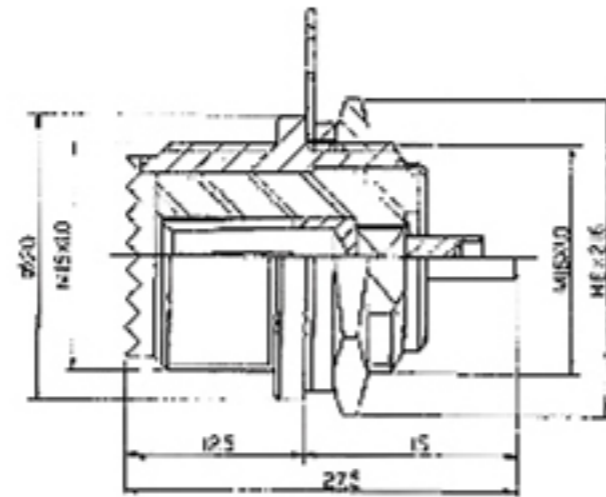
UHF FEMALE BULKHEAD RECEPTACLE

U-545



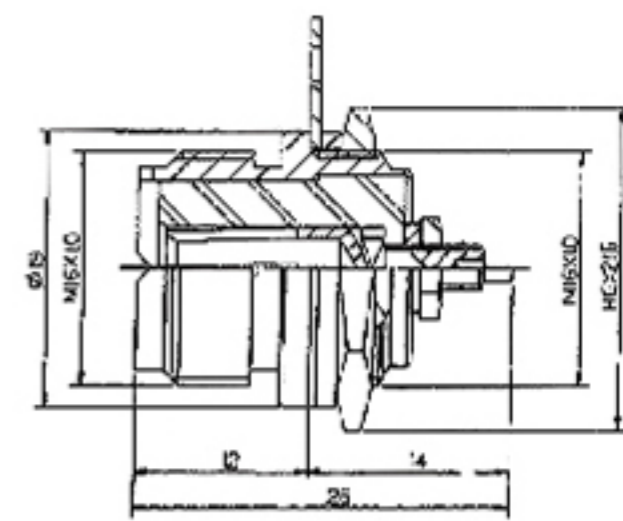
UHF FEMALE BULKHEAD RECEPTACLE

U-511 (SØ-239/SH)



UHF FEMALE BULKHEAD RECEPTACLE

U-547 (SØ-266)



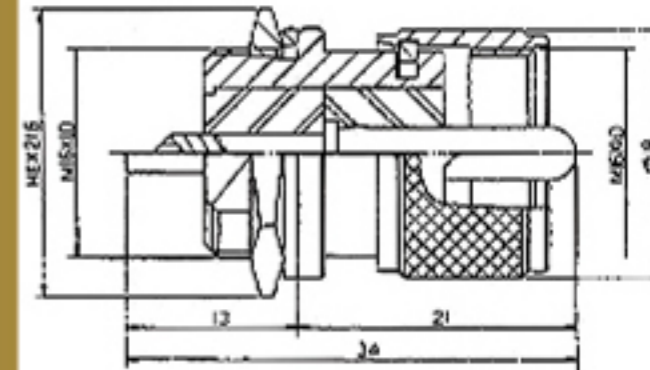
UHF FEMALE BULKHEAD RECEPTACLE

U-521 (UG-266)



UHF MALE BULKHEAD RECEPTACLE

U-531



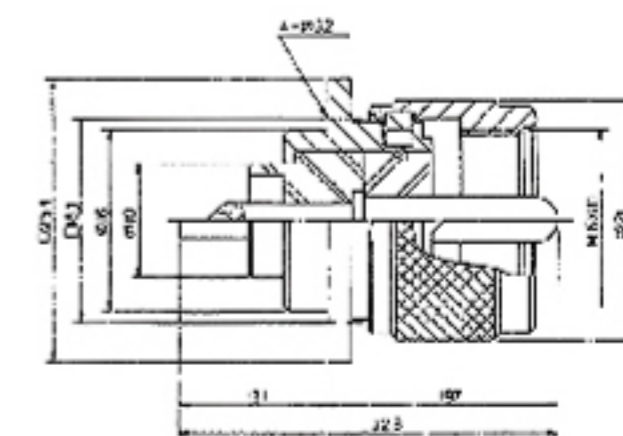
UHF FEMALE RECEPTACLE(SØ239)

U-512



UHF MALE CHASSIS MOUNT

U-551



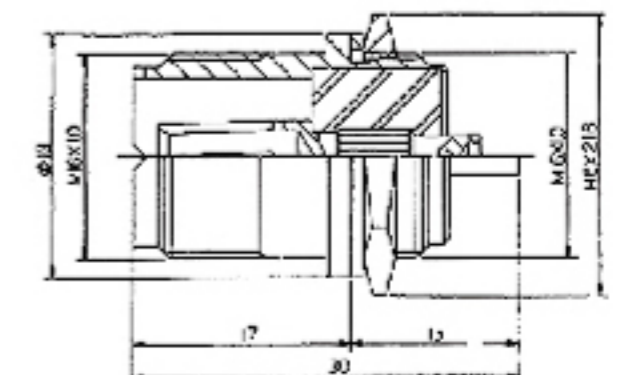
UHF FEMALE RECEPTACLE

U-527



UHF FEMALE BULKHEAD RECEPTACLE

U-532



- 1.本目錄記載數據僅供參考，詳細內容請參考式樣書或圖面。
- 2.本目錄記載內容為了改進產品如有變更，恕不另行通知敬請見諒。

1.The product information in this catalog is for reference only.  
Please request the engineering drawing for the most current and accurate design information.

2.In order to make improvements in the products,we reserve the right to make changes,  
updates and corrections to the information provided in this catalog at any time.  
Subject to change without notice. Thank you for your understanding.



Manufacturer

OEM / ODM

**APEX PRECISION TECHNOLOGY CORP.**  
**錫鋼精密科技股份有限公司**

總公司/總廠：24264 新北市新莊區民安西路405號 E-mail: [apexmail@plt.com.tw](mailto:apexmail@plt.com.tw)  
Headquarters No. 405, Min-an W. Rd., Sinjhuang District, New Taipei City 24264, Taiwan  
TEL : +886-2-2206-8899 FAX : +886-2-2208-0559

台中/大雅廠：42844 台中市大雅區民生路3段191巷4號、6號、8號  
Taichung Plant No. 8, Lane 191, Section 3, Minsheng Rd., Daya District, Taichung City 42844, Taiwan  
TEL : +886-4-2560-7272 FAX : +886-4-2565-2228

日本公司：株式会社 **PLT JAPAN** Technology R&D / Import & Export  
Japan Office 〒151-0053 東京都渋谷区代々木3丁目28番-1・28-1, Yoyogi 3-Chome, Shibuya-ku, Tokyo, Japan  
TEL : +81-3-6276-8845 FAX : +81-3-6276-6645 日本携帯電話 : +81-80-4166-2688

**AS9100D** 航太國防工業品質管理系統認證通過  
QUALITY MANAGEMENT SYSTEMS -  
REQUIREMENTS FOR AVIATION, SPACE,  
AND DEFENSE ORGANIZATIONS

**IATF 16949** 全球汽車產業品質管理系統認證通過  
CERTIFIED IN GLOBAL AUTOMOBILE INDUSTRY

**ISO 14001** 國際環境管理系統認證通過  
ENVIRONMENTAL MANAGEMENT SYSTEMS

**ISO 9001** 國際品質管理系統認證通過  
QUALITY MANAGEMENT SYSTEMS

**ISO/TS 22163** 國際鐵路行業標準認證通過  
INTERNATIONAL RAILWAY INDUSTRY STANDARD