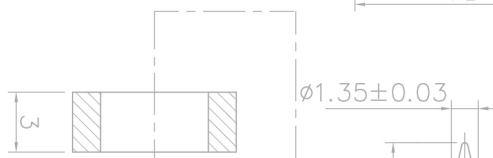
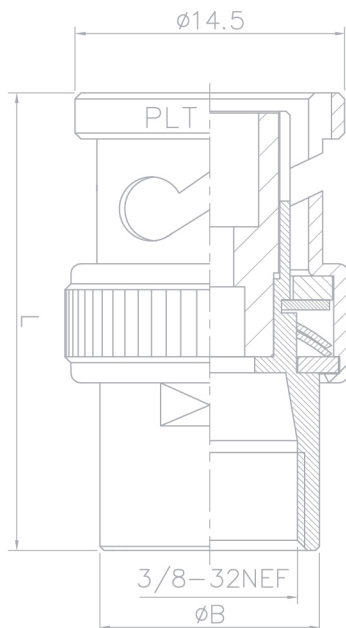
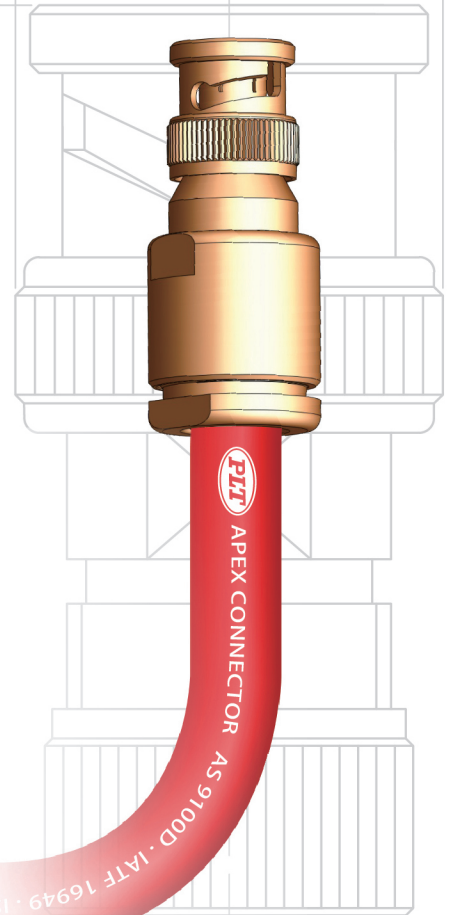


# APEX CONNECTORS

## BNC



BNC connectors are miniature, lightweight and quick connect/disconnect RF connectors. They can be applied to a large variety of systems and equipment (ex. CCTV, antennas, telecom, radio, broadcast...) and can also be assembled with many different kinds of RG and industry cables (ex. RG-58/59/6/174/213/316/U...). They are available in crimp, clamp, solder, Twist On, and Molded styles, etc.



Apex connector  
專業製造廠

**錫鋼精密科技**  
APEX PRECISION TECHNOLOGY  
Since 1978

BNC-117

# CONTENTS

## PLUGS • Clamp / Solder

OVERVIEW	APEX NO.	PAGE
	B-101	05
	B-127	06
	B-151	06
	B-164	06

## PLUGS • BNC / Clamp

OVERVIEW	APEX NO.	PAGE
	B-143	07
	B-148	07
	B-152	07
	B-105	08
	B-105Y	08
	B-115	08
	B-147B	09

## PLUGS • BNC / Clamp

OVERVIEW	APEX NO.	PAGE
	B-147C	09

## JACKS & PANEL JACKS • BNC / Clamp


APEX NO.	PAGE
B-114	09
B-116	09

## JACKS • BNC / Clamp

OVERVIEW	APEX NO.	PAGE
	B-119	10
	B-146B	10
	B-146C	10
	B-153A	10
	B-117	11
	B-132	11
	B-156	11
	B-201	11

# CONTENTS

## PLUGS • Molded Type

OVERVIEW	APEX NO.	PAGE
	<b>B-106</b>	<b>12</b>

## PLUGS • Twist Type

OVERVIEW	APEX NO.	PAGE
	<b>B-122</b>	<b>12</b>
	<b>B-165</b>	<b>12</b>

## JACKS • Twist-On Type

OVERVIEW	APEX NO.	PAGE
	<b>B-139</b>	<b>13</b>

## PLUGS • BNC Ant

OVERVIEW	APEX NO.	PAGE
	<b>B-129</b>	<b>13</b>
	<b>B-138</b>	<b>13</b>
	<b>B-195</b>	<b>13</b>



## PLUGS • Bulkhead Receptacle

OVERVIEW	APEX NO.	PAGE
	<b>B-104</b>	<b>14</b>

## JACKS • Bulkhead Receptacle

OVERVIEW	APEX NO.	PAGE
	<b>B-109</b>	<b>14</b>
	<b>B-110</b>	<b>14</b>
	<b>B-112</b>	<b>15</b>
	<b>B-126</b>	<b>15</b>
	<b>B-118</b>	<b>15</b>
	<b>B-137</b>	<b>15</b>
	<b>B-155</b>	<b>16</b>
	<b>B-161</b>	<b>16</b>

## JACKS • PCB Type

OVERVIEW	APEX NO.	PAGE
	<b>B-135A</b>	<b>16</b>
	<b>B-135B</b>	<b>16</b>
	<b>B-136A</b>	<b>17</b>

# CONTENTS

## JACKS • PCB Type

OVERVIEW	APEX NO.	PAGE
	B-136B	17
	B-136C	17
	B-149A	17
	B-149B	17
	B-149F	18
	B-149G	18

## JACKS • Adapter

OVERVIEW	APEX NO.	PAGE
	B-120	18
	B-123	18
	B-124	18

## BNC • Series Adapter

OVERVIEW	APEX NO.	PAGE
	B-131	19
	B-141	19
	B-150	19
	B-142	19
	B-170	19
	B-180	19

## BNC • Series Adapter

OVERVIEW	APEX NO.	PAGE
	B-194	20
	B-196	20
	B-197	20
	B-200	20
	B-107	21
	B-121	21
	B-202	21
	B-203	21
	B-207	22
	B-208	22
	B-103	22
	B-130A	22
	B-130B	23

### New Products

RF CO-AXIAL	23
N	24
MCX	25
7/16	26
OTHERS	28

## ORDERING INFORMATION

**B - 1 0 1 A - B S G T 7**

**BNC SERIES**

**MODEL NO.**

**CABLE SIZE / TYPE**

**BODY MATERIAL**

B	BRASS
Z	ZINC ALLOY
S	STAINLESS

**BODY PLATING**

C	CHROME
G	GOLD
N	NICKEL
S	SILVER

**IMPEDANCE**

NOTE=50 ohm  
7=75 ohm

**PIN PLATING**

D	DELTRIN
T	TEFLON
P	PLASTIC
PB	PBT POLYESTER
PH	PHENOLIC

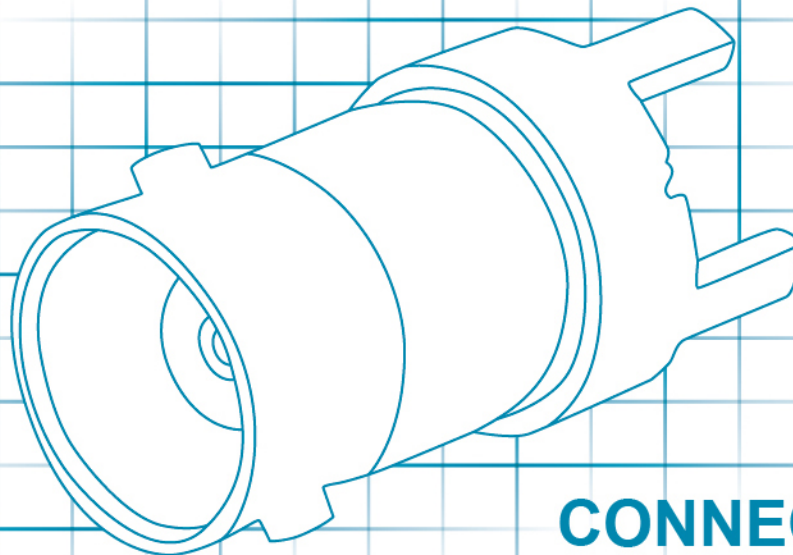
**PIN PLATING**

C	CHROME
G	GOLD
N	NICKEL
S	SILVER

## Electrical Specifications

- Voltage Rating : AC 500V
- Withstanding Voltage : AC 1,500V one minute
- Insulation Resistance : 1,000MΩ min at DC 500V
- Contact Resistance : 3m Ω max at DC 1A
- Frequency Range : 1-2 GHz

## BNC SERIES

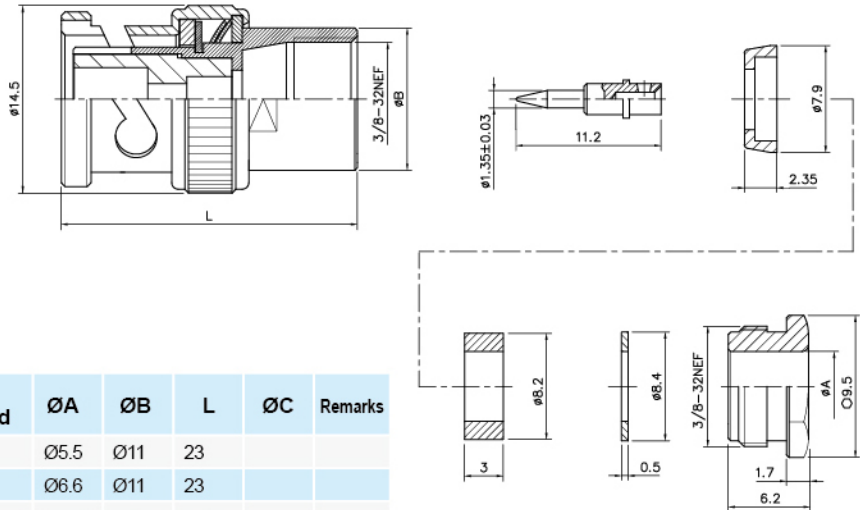


**CONNECTORS**

## PLUGS • Clamp / Solder



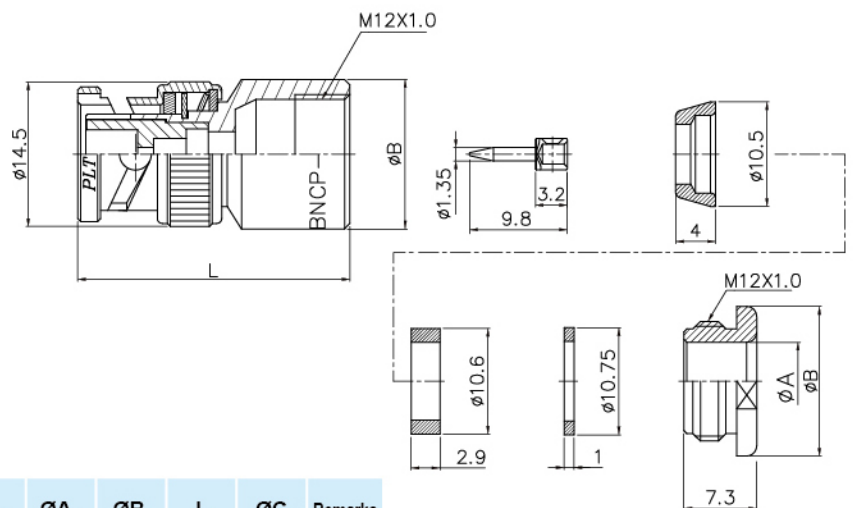
B-101A · B-101B · B-101C · B-101D · B-101E · B-101F · B-101G · B-101H · B-101I · B-101J · B-101K



Model No.	Equivalent identification	Cables accommodated	ØA	ØB	L	ØC	Remarks
B-101 A	BNC-P-58U	RG-58A/UU, 58/U	Ø5.5	Ø11	23		
B-101 B	BNC-P-59U	BNC-P-59U	Ø6.6	Ø11	23		
B-101 C	BNC-P-8/U	BNC-P-8/U	Ø11.2	Ø17.5	34.7		
B-101 D	BNC-P-1.5	BNC-P-1.5	Ø3.2	Ø11	23	Ø9.5	
B-101 E	BNC-P-1.7	BNC-P-1.7	Ø3.2	Ø10.8	23	Ø9.5	
B-101 F	BNC-P-2.5	BNC-P-2.5	Ø4.5	Ø11	23	Ø9.5	
B-101 G	BNC-P-3	BNC-P-3	Ø6.3	Ø11	23	Ø9.5	
B-101 H	BNC-P-5	BNC-P-5	Ø7.8	Ø15	27.3	Ø15	
B-101 I	BNC-P-3.5W	BNC-P-3.5W					
B-101 J	BNC-P-3W	BNC-P-3W	Ø6.6	Ø11	23	Ø9.5	
B-101 K	BNC-P-5W	BNC-P-5W	Ø8.6	Ø15	27.3	Ø15	



B-101L · B-101P · B-101Q

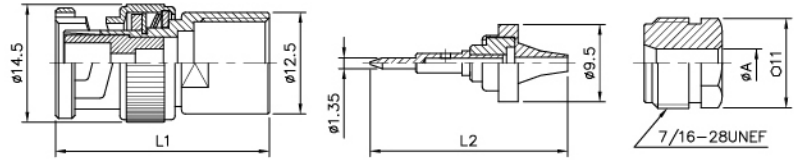


Model No.	Equivalent identification	Cables accommodated	ØA	ØB	L	ØC	Remarks
B-101 L	BNC-P-5DFB	5D-FB	Ø7.8	Ø15	27.3		
B-101 P	BNC-P-7	7C-2V	Ø11.2	Ø17.5	38.5		
B-101 Q	BNC-P-8	8D-2V	Ø11.6	Ø17.5	38		

## PLUGS • Clamp / Solder



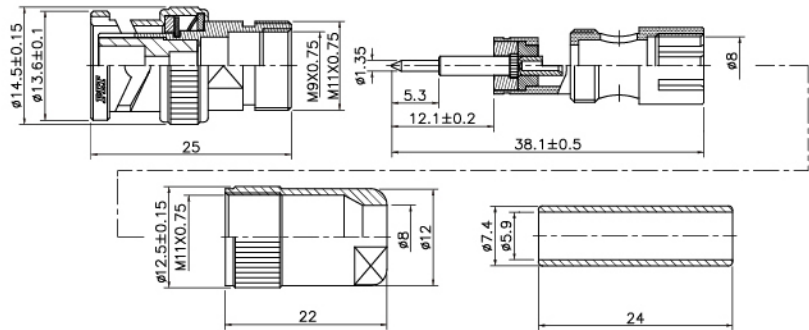
**B-127A · B-127B · B-127C**



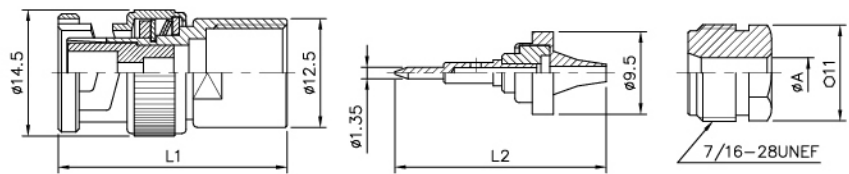
Model No.	Equivalent identification	Cables accommodated	$\phi A$	L1	L2	$\phi C$	Remarks
B-127 A	BNC-P-174	RG-174-U	$\phi 3.5$	26	24.4		
B-127 B	BNC-P-58	RG-58A/U, 58/U	M6x1	26	24.4		
B-127 C	BNC-P-59	RG-59/U, RG-62/U	$\phi 3.2$ -2 BUNEF	26	24.4		



**B-151A**



**B-164A · B-164B**

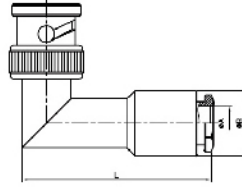


Model No.	Equivalent identification	Cables accommodated	$\phi A$	L1	L2	Remarks
B-164 A	BNC-P-2.5	2.5D-2V	$\phi 4.5$	26	24.4	Screw lock type
B-164 B	BNC-P-1.5	1.5D-2V	$\phi 3.2$	26	24.4	Screw lock type

## PLUGS • BNC / Clamp



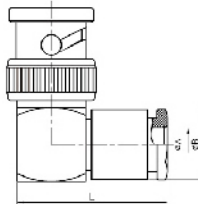
**B-143A · B-143B · B-143C · B-143D · B-143E**



Model No.	Equivalent identification	Cables accommodated	ØA	ØB	L	Remarks
B-143 A	BNC-LP-5PU	RG-55/U, 58/U	Ø5.5	Ø12.7	33	UG-913/U
B-143 B	BNC-LP-62U	RG-59, 62U	Ø6.6	Ø13.7	33	
B-143 C	BNC-LP-5	5D-2V (5C-2V)	Ø8.0	Ø14.4	33	
B-143 D	BNC-LP-3W	3D-2W	Ø6.6	Ø12.7	33	
B-143 E	BNC-LP-5W	5D-2W	Ø8.6	Ø14.4	33	



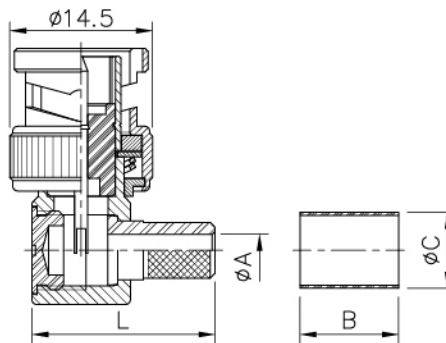
**B-148A · B-148B**



Model No.	Equivalent identification	Cables accommodated	ØA	ØB	L	Remarks
B-148 A	BNC-LP-58U	RG-55/U, RG-58A/U	Ø5.5	Ø10.8	27.5	UG-913/G
B-148 B	BNC-LP-3CV	3D-2V, 3C-2V	Ø6.3	Ø10.8	27.5	



**B-152A · B-152B**

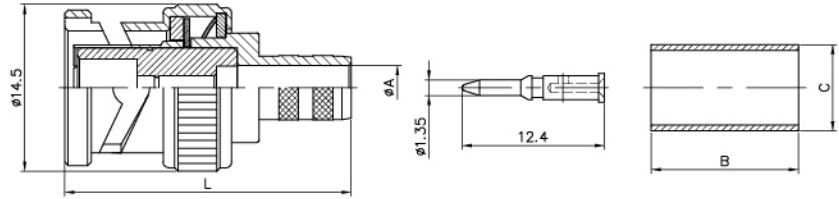


Model No.	Equivalent identification	Cables accommodated	ØA	ØB	ØC	L	Remarks
B-152 A	BNC-LP-58U	RG-58A/U, 58/U	Ø3.3	Ø10	Ø7.7	26	
B-152 B	BNC-LP-59U	RG-59U, 62/U	Ø3.8	Ø12.7	Ø7.5	21.2	

## PLUGS • BNC / Clamp



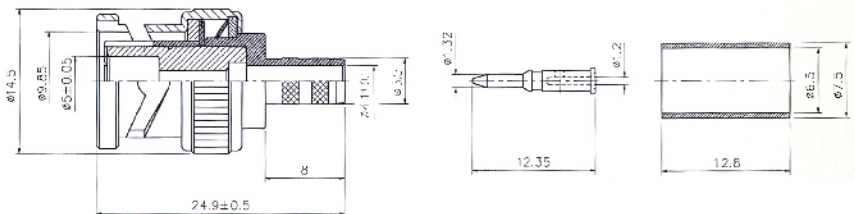
**B-105A · B-105B · B-105C · B-105D · B-105E · B-105F · B-105G  
B-105H · B-105J · B-105K · B-105Q · B-105R · B-105S · B-105T**



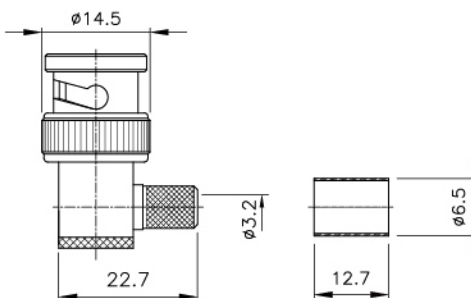
Model No.	Equivalent identification	Cables accommodated	ØA	ØB	ØC	L	Remarks
B-105 A	BNC-P-58U	RG-58A/U, 58/U	Ø3.2	Ø12.8	Ø6.5	25	
B-105 B	BNC-P-59U	RG-59U, 62/U	Ø3.9	Ø12.8	Ø7.5	25	
B-105 C	BNC-P-1.5	1.5C-2V	Ø2.7	Ø12.8	Ø5	25	
B-105 D	BNC-P-3	3C-2V	Ø3.3	Ø12.8	Ø6.5	25	
B-105 E	BNC-P-5	5C-2V	Ø5.3	Ø12.8	Ø9.0	25	
B-105 F	BNC-P-5F	5C-FB	Ø5.1	Ø12.8	Ø9	25	
B-105 G	BNC-P-5CW	5C-2W	Ø5.3	Ø12.8	Ø9.2	25	
B-105 H	BNC-P-3D	3D-2V	Ø3.3	Ø12.8	Ø6.5	25	
B-105 J	BNC-P-5D	5D-2V	Ø5.3	Ø12.8	Ø9.0	25	
B-105 K	BNC-P-5DW	5D-2W	Ø5.3	Ø12.8	Ø9.2	25	
B-105 Q	BNC-P-3D	3D-2W	Ø3.3	Ø12.8	Ø7.5	25	
B-105 R	BNC-P-2.5	2.5C-2V	Ø4	Ø12.8	Ø6.5	25	
B-105 S	BNC-P-1.7C	1.7C-2V	Ø1.8	Ø10	Ø3.8	24	
B-105 T	BNC-P-179	RG-179/U	Ø2.7	Ø14	Ø5.2	22.6	



**B-105Y**



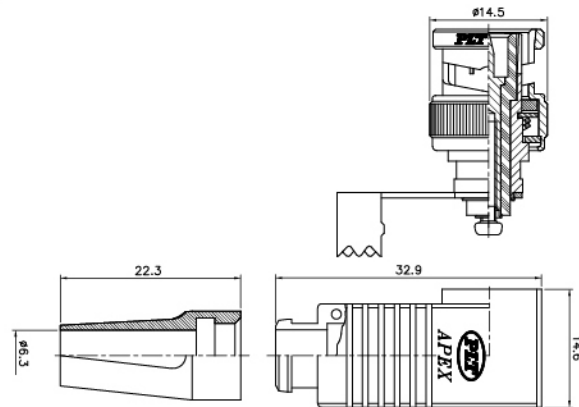
**B-115A**



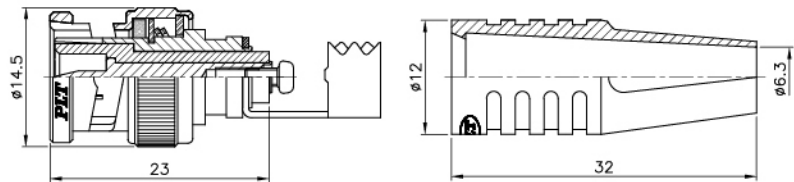
## PLUGS • BNC / Clamp



**B-147B**

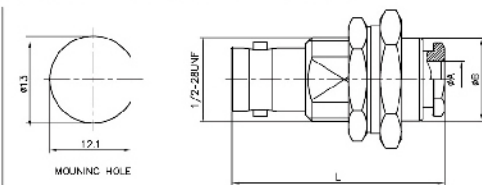


**B-147C**



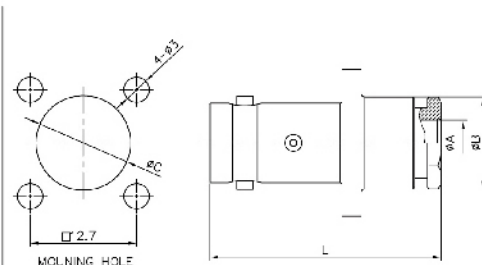
## JACKS & PANEL JACKS • BNC / Clamp

**B-114A · B-114B · B-114C**



Model No.	Equivalent identification	Cables accommodated	ØA	ØB	L	Remarks
B-114 A	BNC-BJ-58U	RG-55/U, 58/U, 142/U	Ø5.4	Ø12.5	28.6	
B-114 B	BNC-BJ-62U	RG-59, 62/U	Ø6.6	Ø12.5	28.6	
B-114 C	BNC-BJ-1.5D	1.5D-2V, 1.5C-2V	Ø3.4	Ø12.5	28.6	

**B-116A · B-116B · B-116C · B-116D · B-116E · B-116F · B-116G**

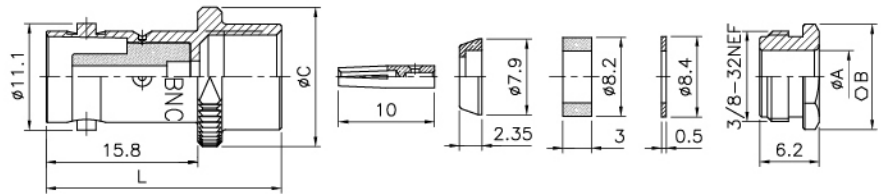


Model No.	Equivalent identification	Cables accommodated	ØA	ØB	L	Remarks
B-116 A	BNC-PJ-58U	RG-55/U, 58/U, 58A/U	Ø5.4	Ø10.8	28.2	
B-116 B	BNC-PJ-62U	RG-59, 62/U	Ø6.6	Ø10.8	28.2	
B-116 C	BNC-PJ-1.5	1.5D-2V (1.5C-2V)	Ø3.2	Ø10.8	28.2	
B-116 D	BNC-PJ-3	3D-2V (3C-2V)	Ø6.3	Ø10.8	28.2	
B-116 E	BNC-PJ-5	5D-2V (5C-2V)	Ø8.0	Ø14.8	35	
B-116 F	BNC-PJ-3W	3D-2W	Ø6.6	Ø10.8	28.2	
B-116 G	BNC-PJ-5W	5D-2W	Ø8.6	Ø14.8	35	

## JACKS • BNC / Clamp



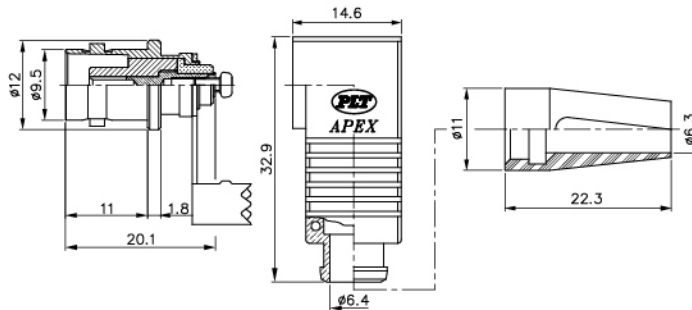
**B-119A · B-119B · B-119C · B-119D**



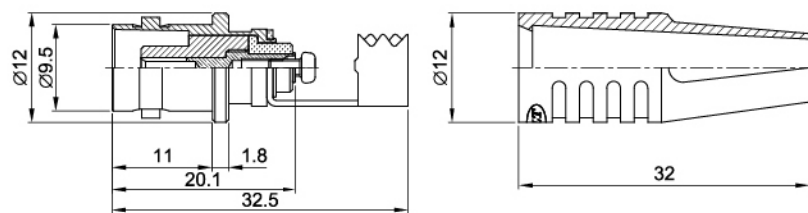
Model No.	Equivalent identification	Cables accommodated	ØA	ØB	ØC	H	L
B-119 A	BNC-J-58U	RG-58A/U, 58/U	Ø5.5	Ø9.5	Ø15.4	12.5	24.5
B-119 B	BNC-J-62U	RG-59U, 62/U	Ø6.6	Ø10.8	Ø14	12.7	28.5
B-119 C	BNC-J-3	3D-2V, 3C-2V	Ø6.3	Ø10.8	Ø14	12.7	28.5
B-119 D	BNC-J-5	5D-2V, 5C-2V	Ø8.0	Ø15.9	Ø17	16	33.9



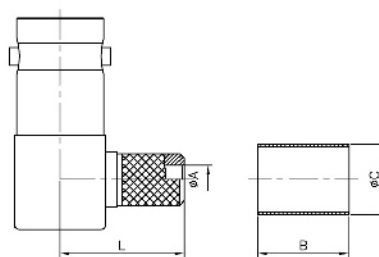
**B-146B**



**B-146C**



**B-153A · B-153B**

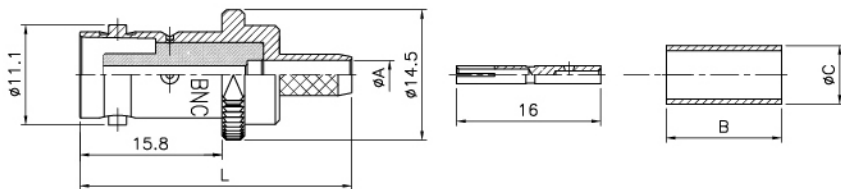


Model No.	Equivalent identification	Cables accommodated	ØA	B	ØC	L	Remarks
B-153 A	BNC-LP-58U	RG-58A/U, 58/U	Ø3.2	12.7	Ø6.5	12.7	
B-153 B	BNC-LP-59U	RG-59U, 62/U	Ø3.8	12.7	Ø7.5	12.7	

## JACKS • BNC / Clamp



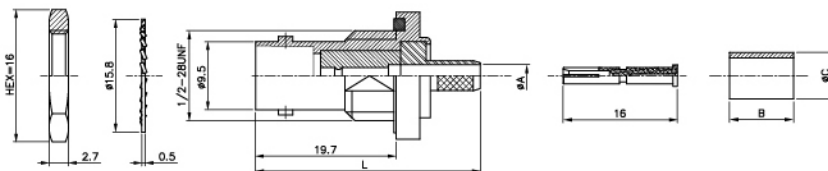
**B-117A · B-117B · B-117C · B-117D · B-117E**



Model No.	Equivalent identification	Cables accommodated	ØA	B	ØC	L	Remarks
B-117 A	BNC-J-58U	RG-55/U, RG-58/U	Ø3.2	12.8	Ø6.5	30.2	
B-117 B	BNC-J-174U	RG-174U	Ø3	12.8	Ø5.3	30.2	
B-117 C	BNC-1.5	1.5C-2V (1.5D-2V)	Ø2.2	12.8	Ø5.3	30.2	
B-117 D	BNC-J-3	3C-2V	Ø3.3	12.8	Ø6.5	30.2	
B-117 E	BNC-J-5	5C-2V	Ø5.3	12.8	Ø9.2	30.2	



**B-132A · B-132B**

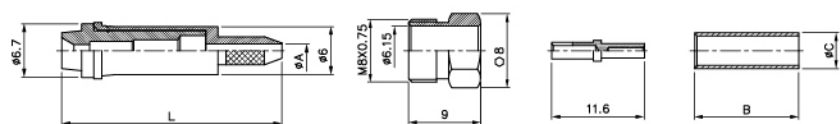


Model No.	Equivalent identification	Cables accommodated	ØA	ØB	ØC	L	Remarks
B-132 A	BNC-BJ-2C	2C2V	Ø3.1	Ø9	Ø6.5	31.5	
B-132 B	BNC-BJ-59U	RG-59U, 62/U	Ø3.3	Ø12.7	Ø7.5	31.5	



**B-156A · B-156B**

FME

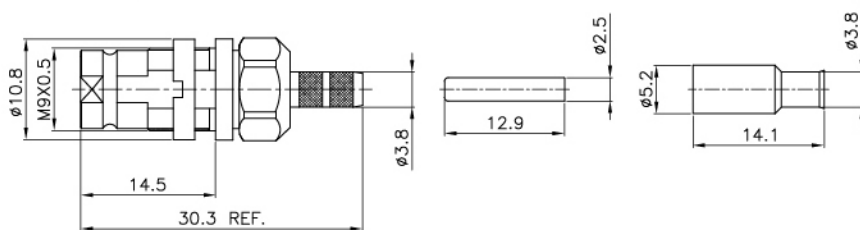


Model No.	Equivalent identification	Cables accommodated	ØA	ØB	ØC	L	Remarks
B-156 A	FME CRIMP-58	RG-55/U, 58/U	Ø3.2	Ø12.7	Ø6.5	27.3	
B-156 B	FME CRIMP-59	RG-59U, 62/U	Ø3.8	Ø12.7	Ø7.5	27.3	



**B-201A**

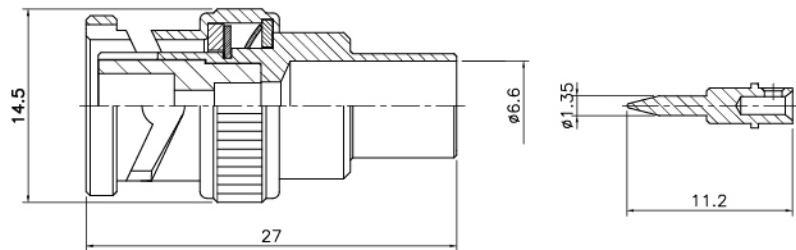
1.6-5.6 R/A CLAMP JACK



## PLUGS • Molded Type



**B-106A · B-106B**

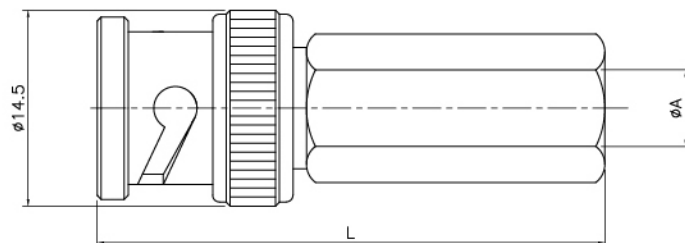


Model No.	Equivalent identification	Cables accommodated	ØA	ØB	L	Remarks
B-106 A	BNC-P-MOLDED	RG-55/U, RG-58/U	Ø5.5	Ø6.8	27	
B-106 B	BNC-P-MOLDED	RG-59/U, RG-62/U	Ø6.6	Ø7.5	27	

## PLUGS • Twist Type



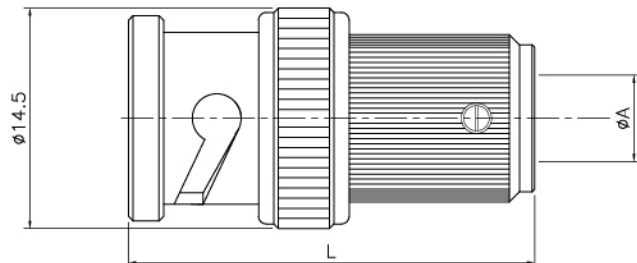
**B-122A · B-122B**



Model No.	Equivalent identification	Cables accommodated	ØA	ØB	L	Remarks
B-122 A	BNC-TWIST-ON	RG-58/U, RG-58/U	Ø5.3	--	37.6	
B-122 B	BNC-TWIST-ON	RG-59/U, RG-62/U	Ø6.4	--	37.6	



**B-165A · B-165B**

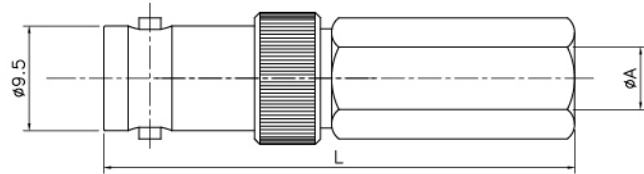


Model No.	Equivalent identification	Cables accommodated	ØA	ØB	L	Remarks
B-165 A	BNC-P-RAPID	RG-55/U, 58/U	Ø5.4	--	26.7	
B-165 B	BNC-P-RAPID	RG-59U, 62/U	Ø6.6	--	26.7	

## JACKS • Twist-On Type



**B-139A · B-139B**

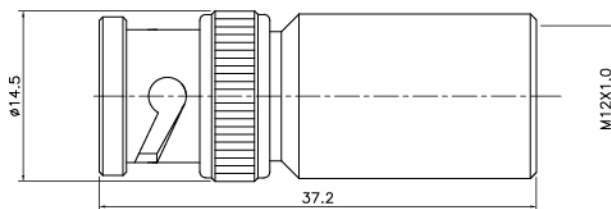


Model No.	Equivalent identification	Cables accommodated	ØA	ØB	L	Remarks
B-139 A	BNC-JACK-TWIST-ON	RG-55/U, RG-58/U	Ø5.3	--	40.2	
B-139 B	BNC-JACK-TWIST-ON	RG-59/U, RG-62/U	Ø6.4	--	40.2	

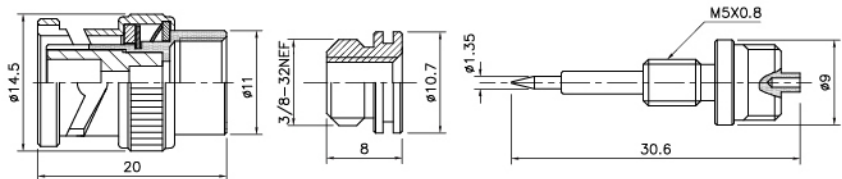
## PLUGS • BNC Ant



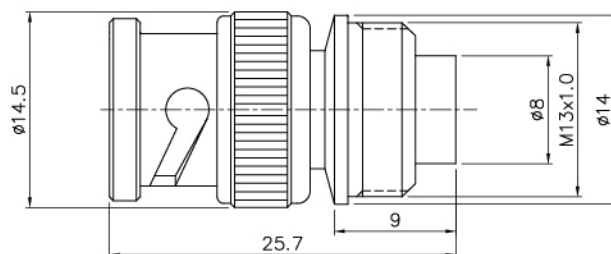
**B-129A · B-129B · B-129C**



**B-138A**



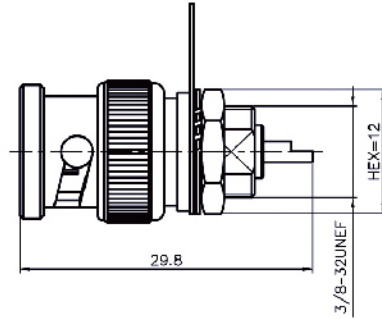
**B-195A**



## PLUGS • Bulkhead Receptacle



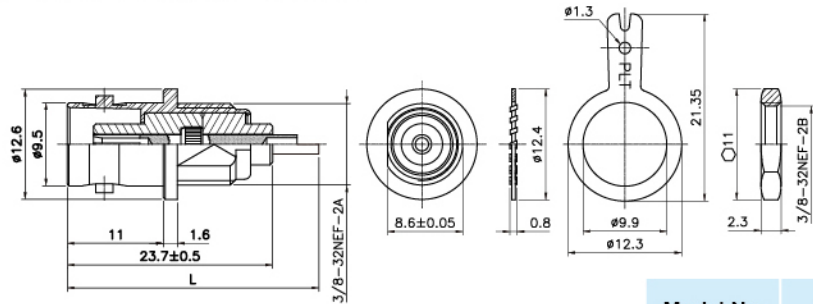
**B-104A**  
BNC-P-BR



## JACKS • Bulkhead Receptacle



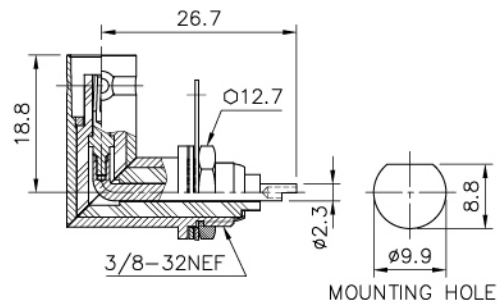
**B-109A · B-109B · B-109C**



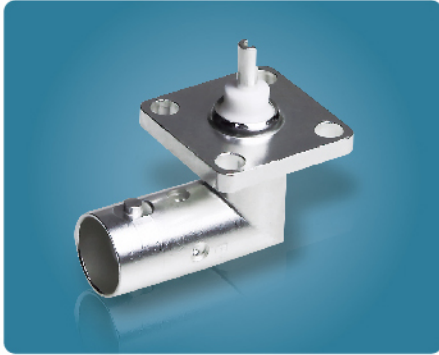
Model No.	L
B-109 A	27
B-109 B	29
B-109 C	31
B-109 D	27



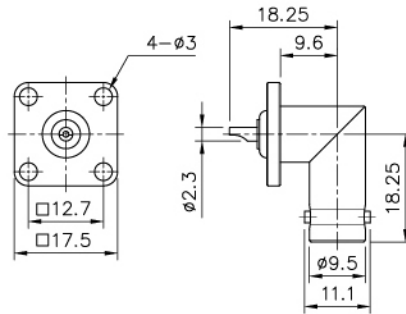
**B-110A**  
BNC-LBR



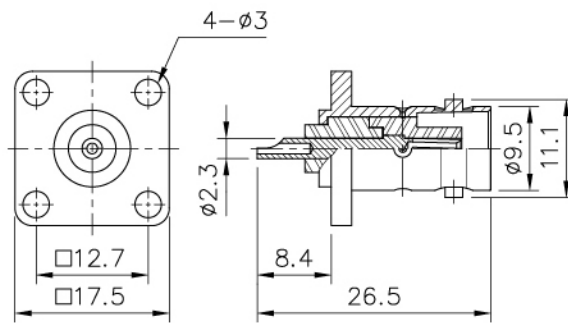
## JACKS • Bulkhead Receptacle



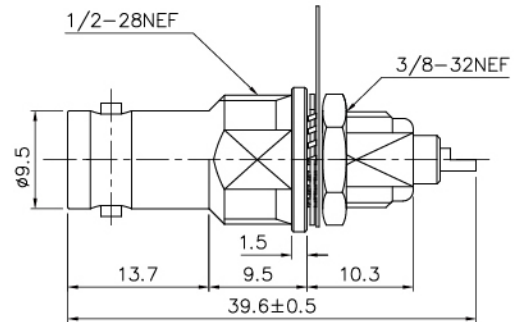
**B-112A**  
BNC-CR



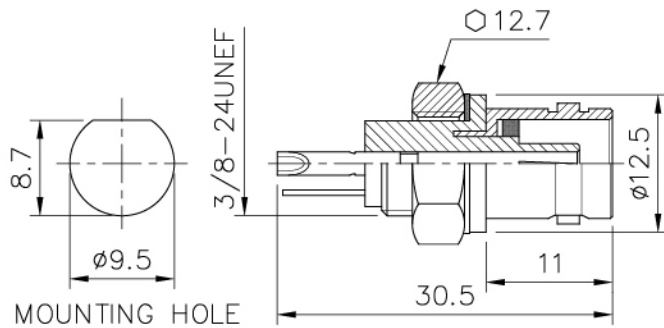
**B-126A**  
BNC-R



**B-118A**  
BNC-BR



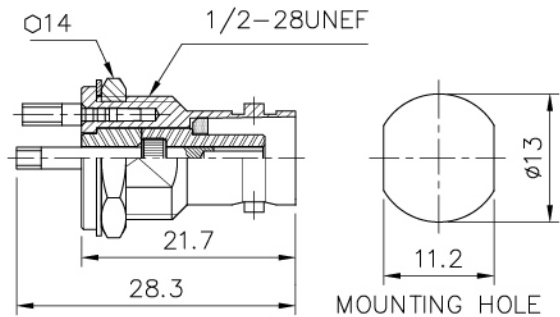
**B-137A**  
BNC-BR



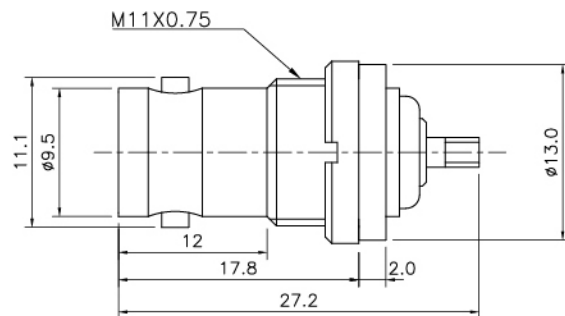
## JACKS • Bulkhead Receptacle



**B-155A**  
BNC-RM



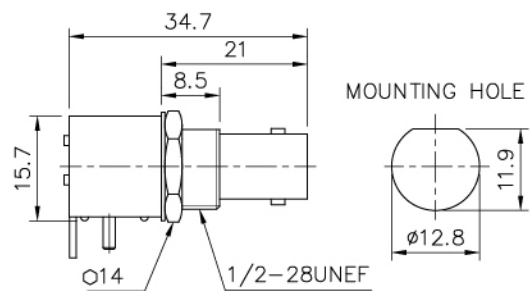
**B-161B**  
BNC-RM



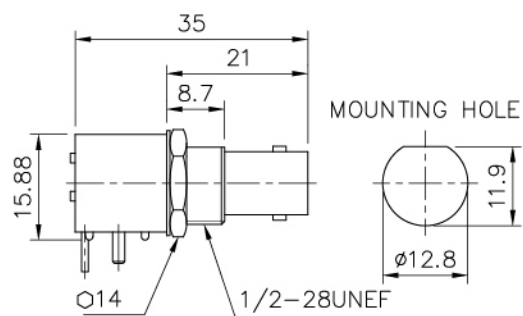
## JACKS • PCB Type



**B-135A**  
BNC-RM-PCB



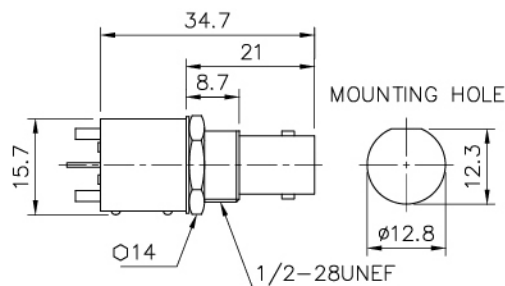
**B-135B**  
BNC-RM-PCB



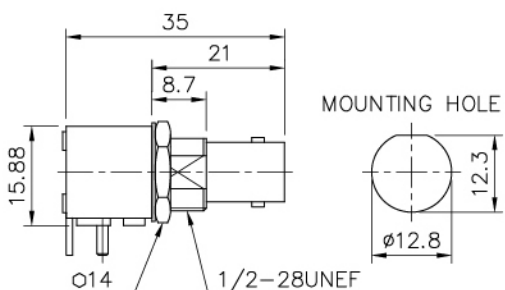
## JACKS • PCB Type



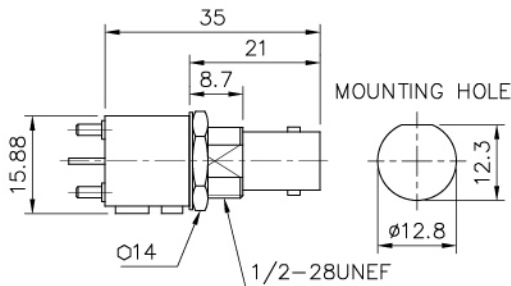
**B-136A**  
BNC-RM-PCB



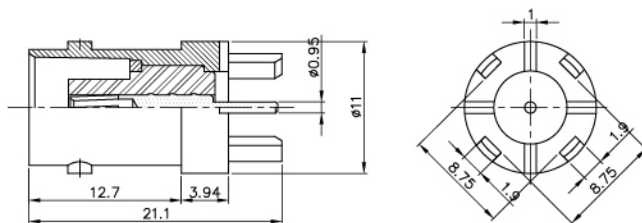
**B-136B**  
BNC-RM-PCB



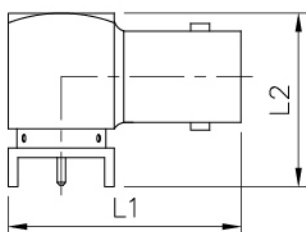
**B-136C**  
BNC-RM-PCB



**B-149A**  
BNC-SR-PCB



**B-149B**  
BNC-LR-PCB

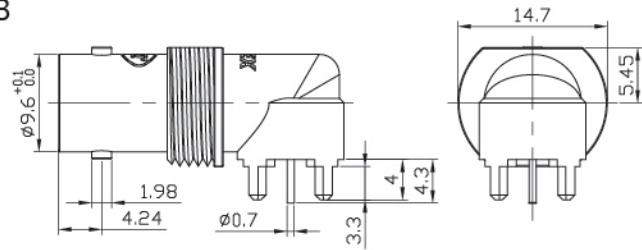


Model No.	L1	L2
B-149 B	24.15	18
B-149 C	24.65	19.5

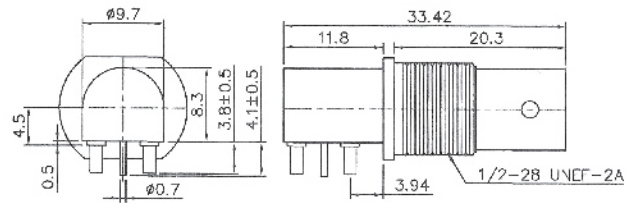
## JACKS • PCB Type



**B-149F**  
BNC-LR-PCB



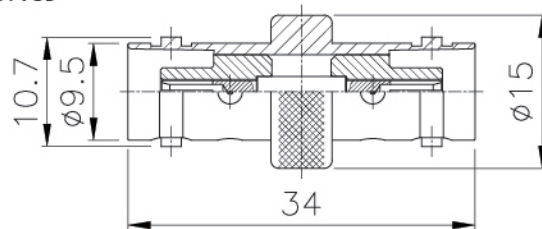
**B-149G**  
BNC-LR-PCB



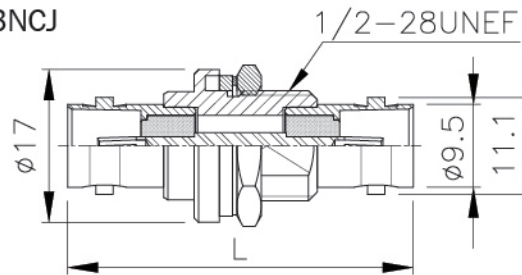
## JACKS • Adapter



**B-120A**  
BNCJ-BNCJ



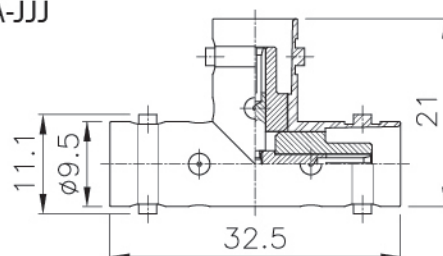
**B-123A**  
BNCJ-BNCJ



Model No.	L
B-123A	37.2
B-123B	46
B-123C	62



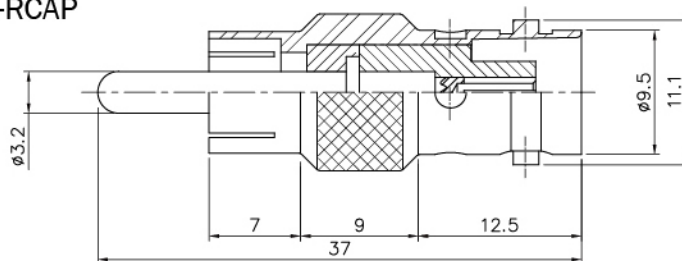
**B-124A**  
BNC-TA-JJJ



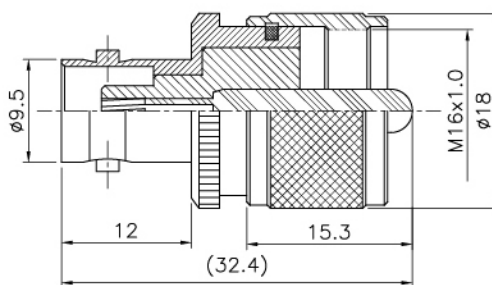
## BNC • Series Adapter



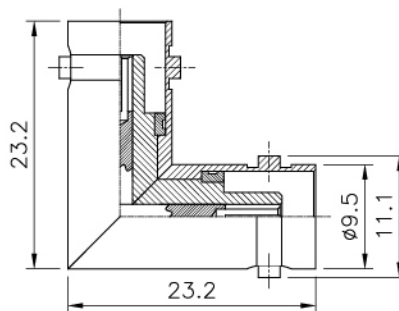
**B-131A**  
BNCJ-RCAP



**B-141A**  
BNCJ-MP



**B-150A**  
BNC-LA-JJ



**B-142A**  
BNCJ-FP



**B-170A**  
BNC-PA-JJ



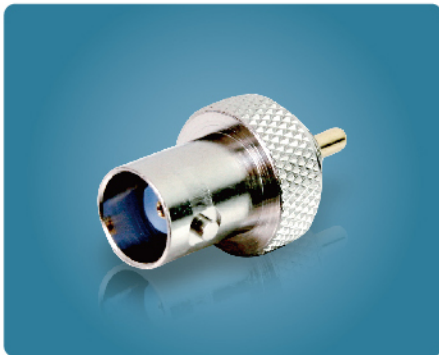
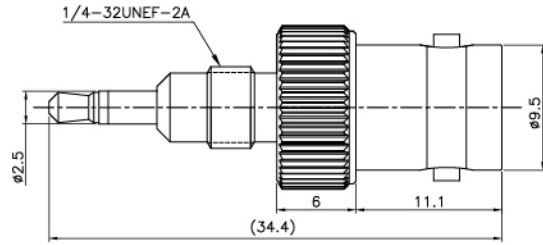
**B-180A**  
BNC-PA-JJ



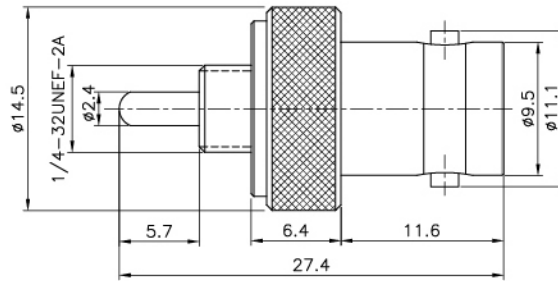
## BNC • Series Adapter



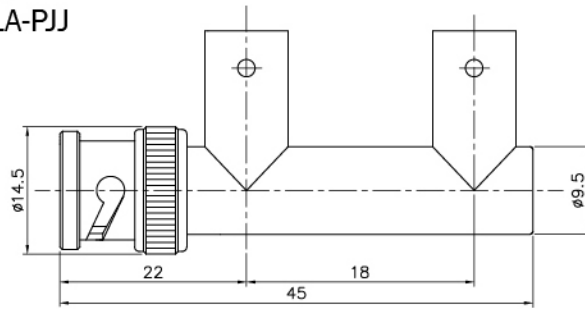
**B-194A**  
BNC-MINI PLUG



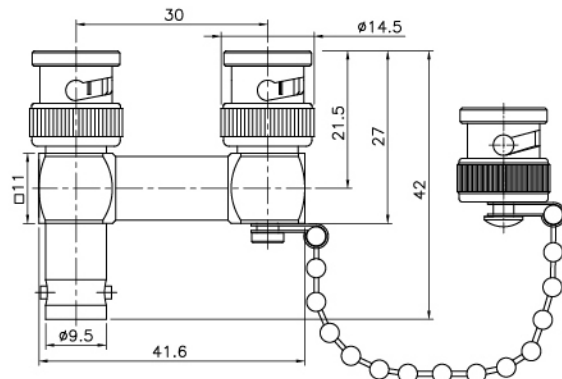
**B-196A**



**B-197A**  
BNC-LLA-PJJ



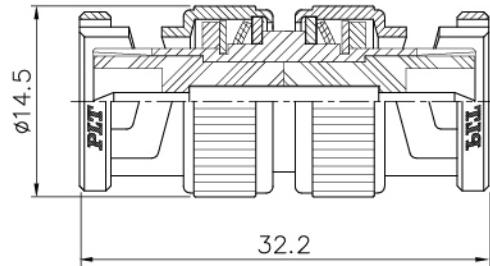
**B-200A**  
BNC-LJ-PP75



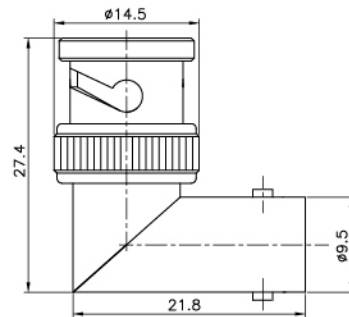
## BNC • Series Adapter



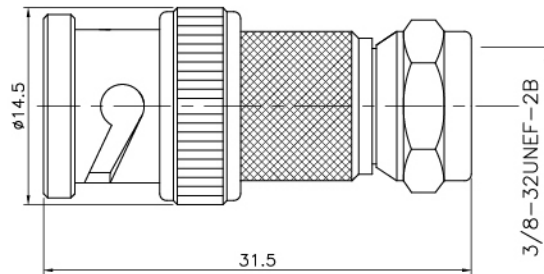
**B-107A**  
BNCP-BNCP



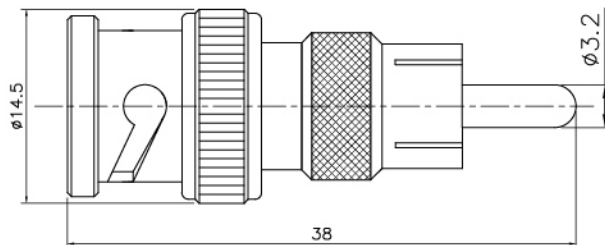
**B-121A**  
BNC-LA-PJ



**B-202A**  
BNCP-FP



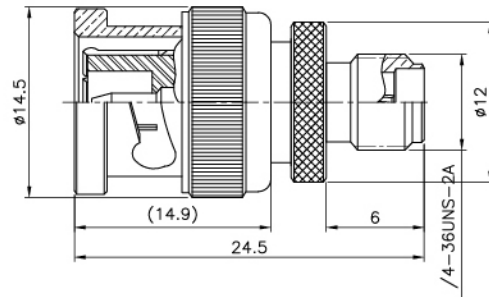
**B-203A**  
BNCP-RCAP



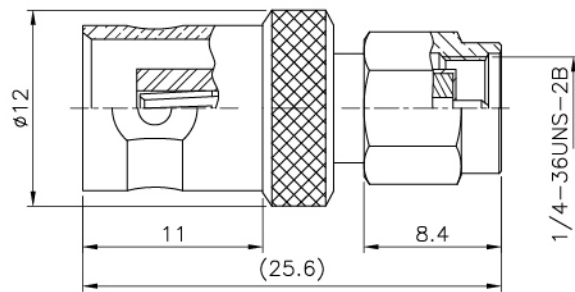
## BNC • Series Adapter



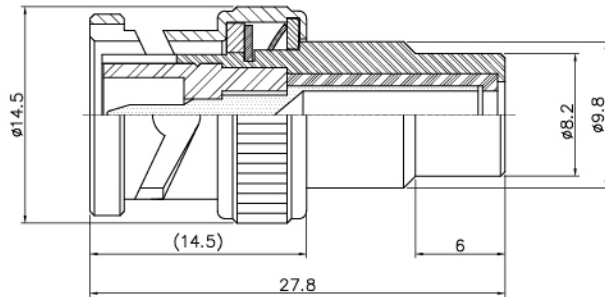
**B-207A**  
BNCP-SMAJ



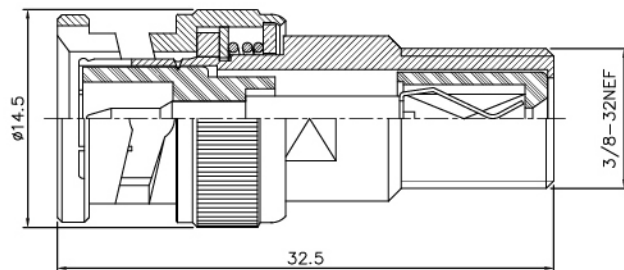
**B-208A**  
BNCJ-SMAP



**B-103A**  
BNCP-RCAJ



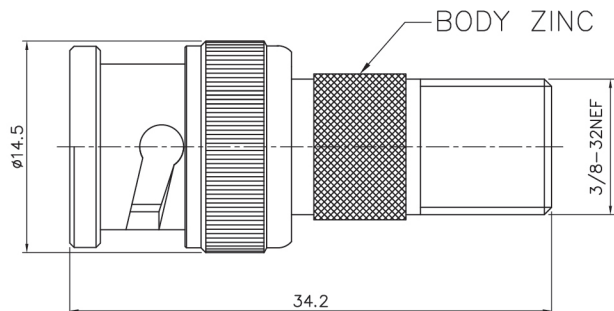
**B-130A**  
BNCP-FJ



## BNC • Series Adapter



**B-130B**  
BNCP-FJ

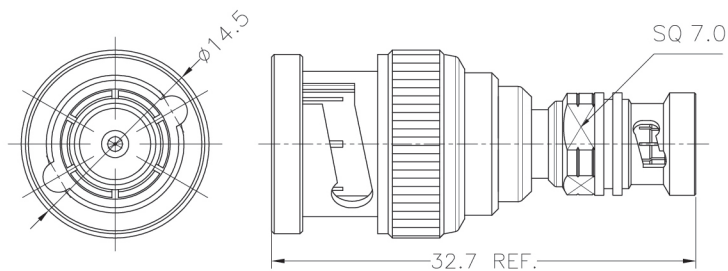


## New Products

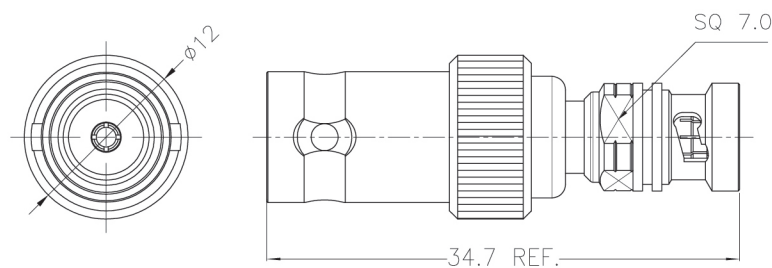
## BNC • Series RF CO-AXIAL CONNECTORS



**HB01-BNGT**  
BNC PLUG TO HD-BNC PLUG



**HB02-BNGT**  
BNC JACK TO HD-BNC PLUG

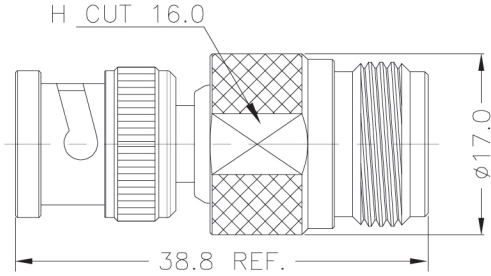


**BNC • N**

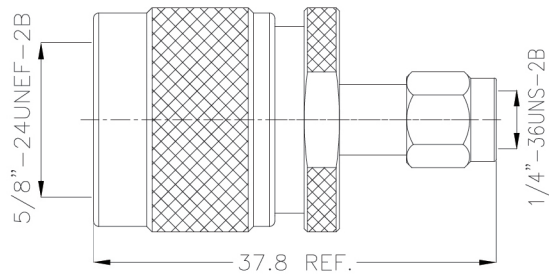
*New Products*



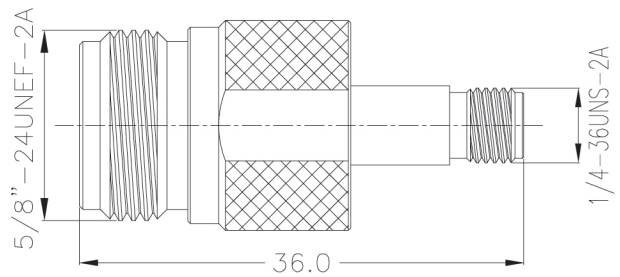
**N-342A-BNGT**  
N JACK TO BNC PLUG ADAPTER



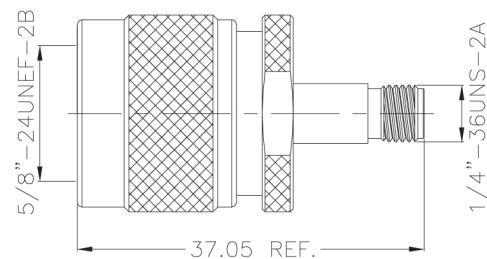
**N-343A-BNGT**  
N PLUG TO SMA PLUG ADAPTER



**N-344A-BNGT**  
N JACK TO SMA JACK ADAPTER



**N-345A-BNGT**  
N PLUG TO SMA JACK ADAPTER

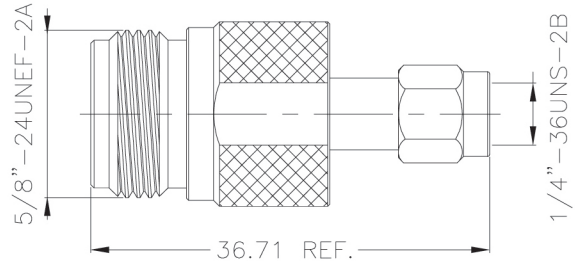


## BNC • N

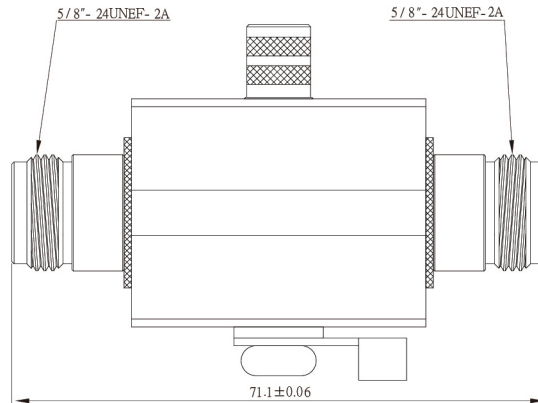
## New Products



**N-346A-BNGT**  
N JACK TO SMA PLUG ADAPTER

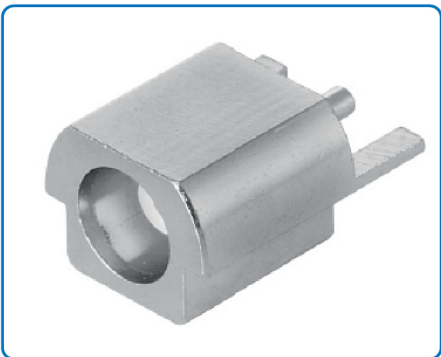


**N-347A**  
NJ TO NJ SURGE PROTECTION DEVICE

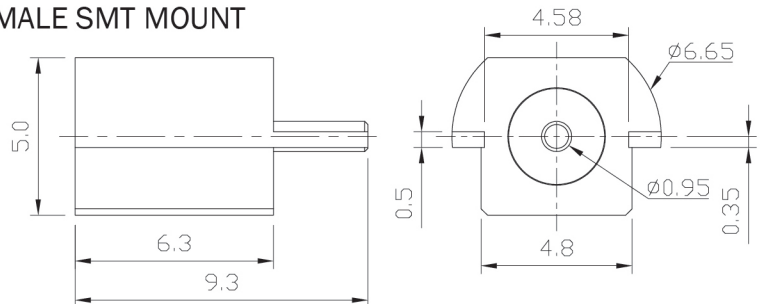


## BNC • Series MCX

## New Products



**ACH-8338**  
MCX FEMALE SMT MOUNT

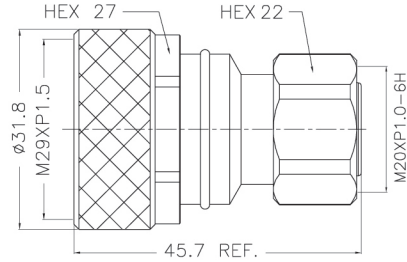


**BNC • 7/16**

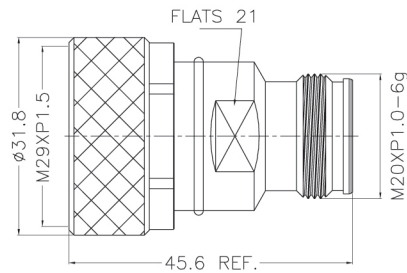
*New Products*



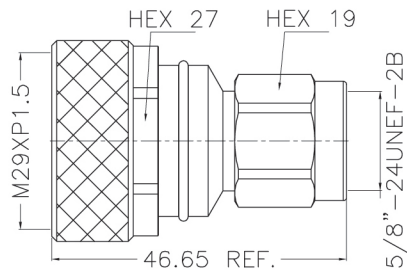
**716AD01-BNGT**  
7/16 PLUG TO 4.3-10 PLUG ADAPTER



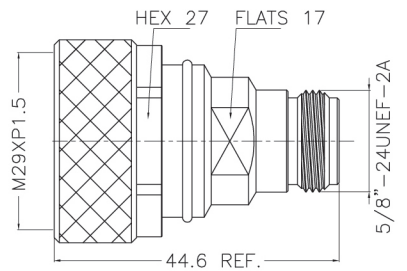
**716AD02-BNGT**  
7/16 PLUG TO 4.3-10 JACK ADAPTER



**716AD03-BNGT**  
7/16 PLUG TO N PLUG ADAPTER



**716AD04-BNGT**  
7/16 PLUG TO N JACK ADAPTER

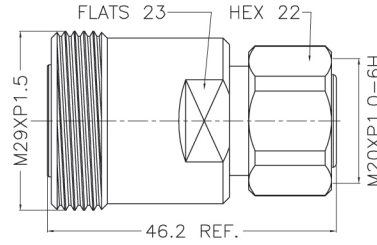


## BNC • 7/16

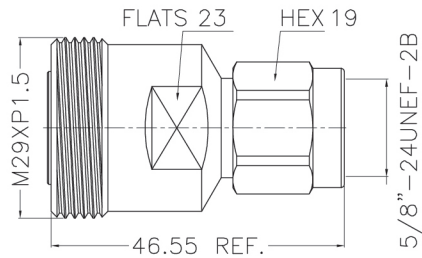
## New Products



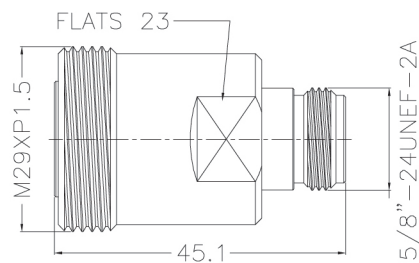
**716AD05-BNGT**  
7/16 JACK TO 4.3-10 PLUG ADAPTER



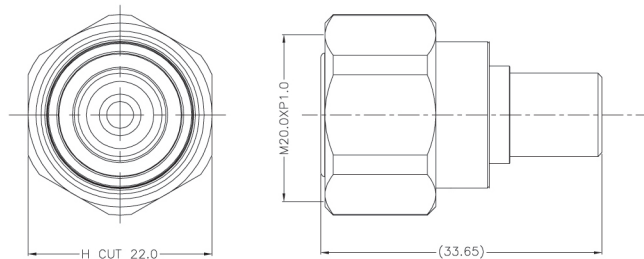
**716AD06-BNGT**  
7/16 JACK TO N PLUG ADAPTER



**716AD07-BNGT**  
7/16 JACK TO N JACK ADAPTER



**4.3-10-BNGT**  
1W 4.3-10 PLUG TERMINAL



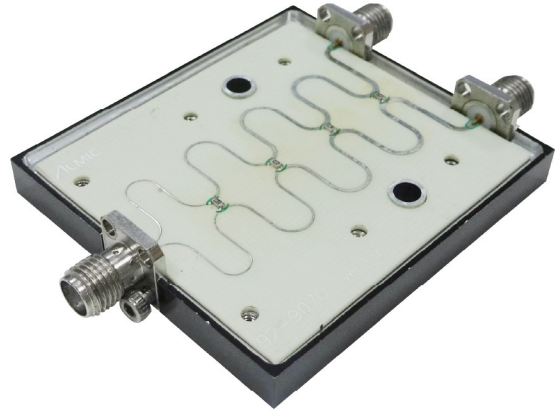
## OTHERS

**D-101**

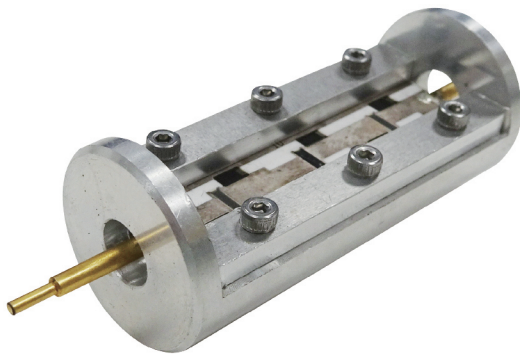


## New Products

**D-102**



**D-103**



**D-104**



# BUSINESS SCOPE

# 100% TAIWAN

## | The 1st Business Unit

### Connector

Military / Waterproof / RF Coaxial / Industrial Series

## | The 2nd Business Unit

### Various Types of Molds

Customized Mold and Machinery Components Design & Manufacturing

## | The 3rd Business Unit

### Wire Assembly

## | The 4th Business Unit

### Wireless Communication

Antenna / Transceiver / Peripheral Accessories

## | The 5th Business Unit

### Precision Machine Manufacturing

CNC Turning and Milling Compound Lathe / Precision Arbor Press and Mechanical Press Manufacturing

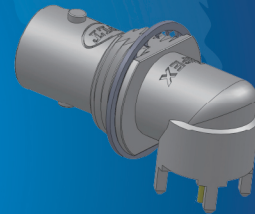
## | The 6th Business Unit

### Medical Facilities for Senior Health Care

Wireless Remote Control Patient Care System / Medical Care On-Call System

## | The 7th Business Unit

### Channels of Distribution for Products Solution



- 1.本目錄記載數據僅供參考，詳細內容請參考式樣書或圖面。
- 2.本目錄記載內容為了改進產品如有變更，恕不另行通知敬請見諒。

- 1.The product information in this catalog is for reference only.  
Please request the engineering drawing for the most current and accurate design information.
- 2.In order to make improvements in the products,we reserve the right to make changes, updates and corrections to the information provided in this catalog at any time.  
Subject to change without notice. Thank you for your understanding.



Manufacturer

OEM / ODM

**APEX PRECISION TECHNOLOGY CORP.**  
**錫鋼精密科技股份有限公司**

總公司/總廠：24264 新北市新莊區民安西路405號 E-mail: apexmail@plt.com.tw  
Headquarters No. 405, Min-an W. Rd., Sinjhuang District, New Taipei City 24264, Taiwan  
TEL: +886-2-2206-8899 FAX: +886-2-2208-0559

台中/大雅廠：42844 台中市大雅區民生路3段191巷4號、6號、8號  
Taichung Plant No. 8, Lane 191, Section 3, Minsheng Rd., Daya District, Taichung City 42844, Taiwan  
TEL: +886-4-2560-7272 FAX: +886-4-2565-2228

日本公司：株式会社 PLT JAPAN Technology R&D / Import & Export  
Japan Office 〒151-0053 東京都渋谷区代々木3丁目28番-1・28-1, Yoyogi 3-Chome, Shibuya-ku, Tokyo, Japan  
TEL: +81-3-6276-8845 FAX: +81-3-6276-6645 日本携帯電話: +81-80-4166-2688



International Q/C Certification



RoHS Compliant

**AS9100D** 航太國防工業品質管理系統認證通過  
QUALITY MANAGEMENT SYSTEMS -  
REQUIREMENTS FOR AVIATION, SPACE,  
AND DEFENSE ORGANIZATIONS

**IATF 16949** 全球汽車產業品質管理系統認證通過  
CERTIFIED IN GLOBAL AUTOMOBILE INDUSTRY

**ISO 14001** 國際環境管理系統認證通過  
ENVIRONMENTAL MANAGEMENT SYSTEMS

**ISO 9001** 國際品質管理系統認證通過  
QUALITY MANAGEMENT SYSTEMS

**ISO/TS 22163** 國際鐵路行業標準認證通過  
INTERNATIONAL RAILWAY INDUSTRY STANDARD