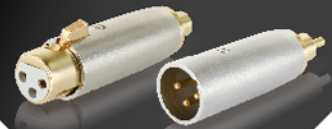




APEX CONNECTOR
鋁鋼精密科技

- Since 1978 -

APEX CONNECTORS AUDIO VIDEO



www.plt.com.tw



產品多元·網站查詢

Diversified products for more information
please check our website





CONTENTS

MA Type

OVERVIEW	APEX NO.	PAGE
	MA - ♠ M	04
	MA - ♠ F	04

MB Type

OVERVIEW	APEX NO.	PAGE
	MB - ♠ M	04
	MB - ♠ F	04

CHM / MD Type

OVERVIEW	APEX NO.	PAGE
	CHM-6021A-♠	05
	CHM-6021-♠	05
	MD - ♠ M	05
	MD - ♠ F	05
	MR - ♠ F	05

RCA Plug Series

OVERVIEW	APEX NO.	PAGE
	R-901A	06
	R-902A	06
	R-903A	06
	R-904A	06
	R-905A	06
	R-906A	07
	R-907A	07
	R-908A	07
	R-909A	07
	R-910A	07

CONTENTS

RCA Jack Series

OVERVIEW	APEX NO.	PAGE
	R-916A	08
	R-917A	08
	R-918A	08
	R-918B	08

RCA Adapter Series

OVERVIEW	APEX NO.	PAGE
	R-921A	09
	R-922A	09
	R-923A	09

Special Type

OVERVIEW	APEX NO.	PAGE
	R-924A	09

Speaker Terminal Jack Series

OVERVIEW	APEX NO.	PAGE
	R-911A	10
	R-927A	10
	R-928A	10
	R-914A	10
	R-915A	10

Speaker Terminal Plug Series

OVERVIEW	APEX NO.	PAGE
	R-912A	11
	R-913A	11
	R-920B	11

Phone Plug / Jack

OVERVIEW	APEX NO.	PAGE
	R-919A	11

Audio Plug R-925A / R-925B **12**

Mic Jack R-926B **12**

ORDERING INFORMATION

MA - ❖ F - Z N G P



SHELL STYLES

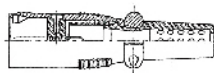
Female Plug

Type: MA-❖F



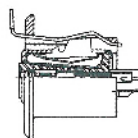
Male Plug

Type: MA-❖M



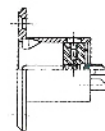
Female Flange Receptacle

Type: MD-❖F



Male Flange Receptacle

Type: MD-❖M



GENERAL PERFORMANCE CHARACTERISTICS

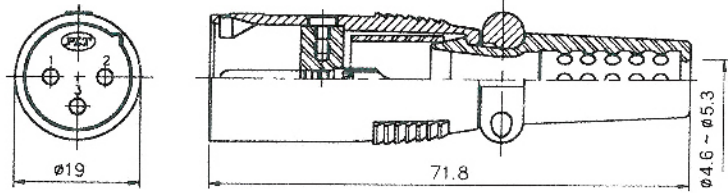
❖ Number of Contacts	3	4	5	6	7
Contacts Arrangement Configuration					
Rated Current / Voltage (AC)	10A/133V	10A/133V	7.5A/133V	7.5A/133V	5A/133V
Insulation Resistance	2000 M Ω min. at 500VDC				
Contact Resistance (m Ω max.) at DC1A	10	13	15	15	15
Wire Accommodation Reference AWG	#14	#16	#18	#18	#20
Stranded Wire O. D. (max.)	2.1 mm	1.6 mm	1.4 mm	1.4 mm	1.0 mm
Wire Cross Section (max.)	2.0 mm ²	1.4 mm ²	0.9mm ²	0.9 mm ²	0.5 mm ²

MA Type

MA - ♠M



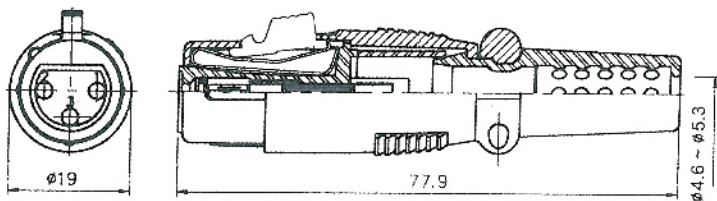
MA Type Male Plug



MA - ♠F



MA Type Female Plug

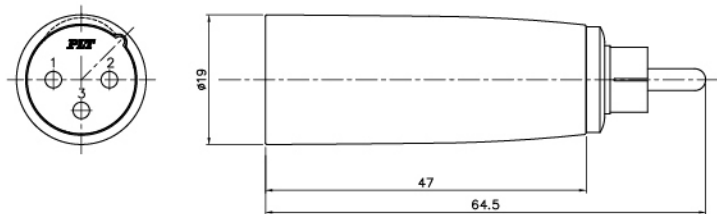


MB Type

MB - 3M-ZNGP



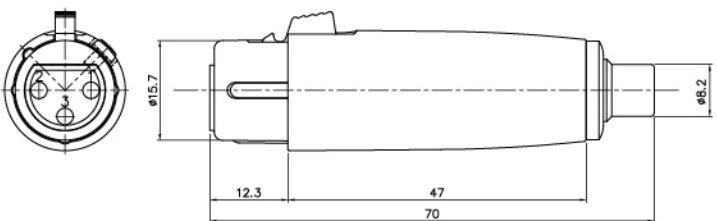
MB Type Adapter MP-RCAP



MB - 3F-ZNGP



MB Type Adapter MJ-RCAJ

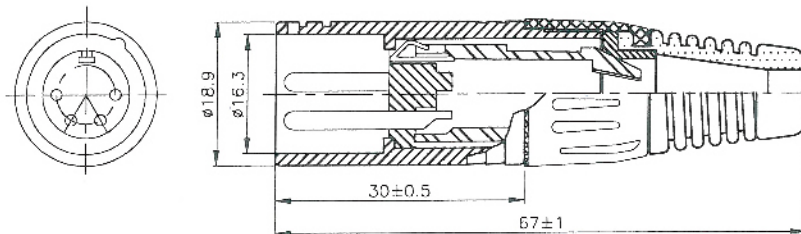


CHM / MD Series

CHM - 6021A-❖



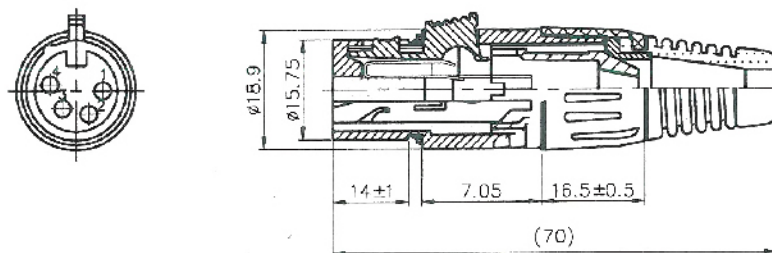
CHM Type Male Plug



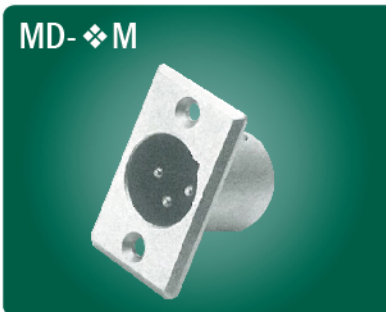
CHM - 6021-❖



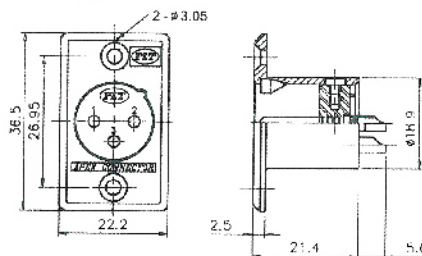
CHM Type Female Plug



MD-❖M



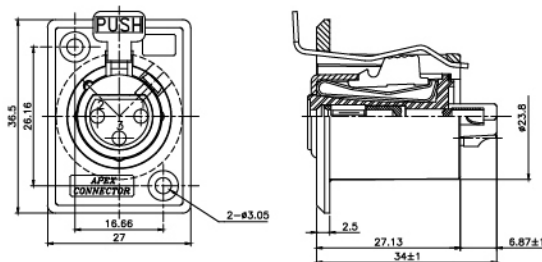
MD Type Male Flange Receptacle



MD-❖F



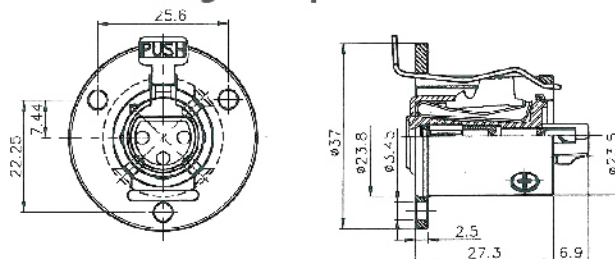
MD Type Female Flange Receptacle



MR-❖F



MD Type Female Flange Receptacle

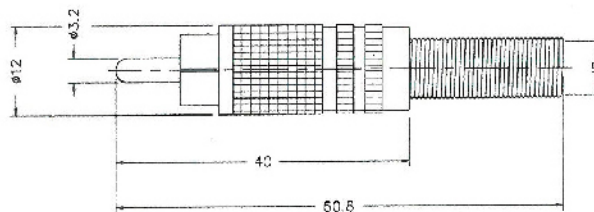


RCA Plug Series

R-901A



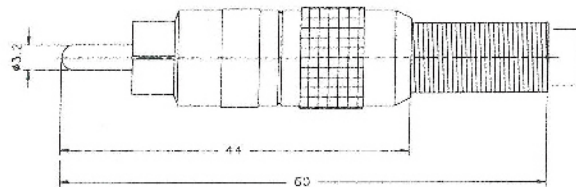
Metal Barrel, w/Metal Spring, Nickel, Gold Plated,
I.D.: For 4mm, 5mm, 6mm, 7mm Cable, Code Ring: Red, Black



R-902A



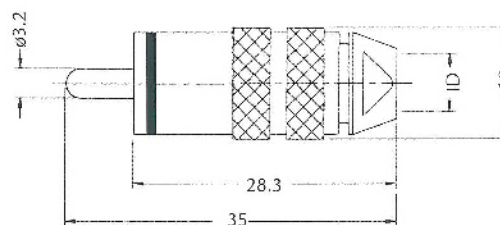
Metal Barrel, Chrome Plated, I.D.: For 6mm, 7mm, 8mm Cable,
Code Ring: Red, White



R-903A



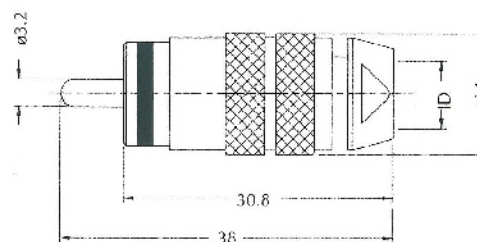
Metal Barrel, Chrome Plated, I.D.: For 5mm, 6mm Cable,
Code Ring: Red, Black



R-904A



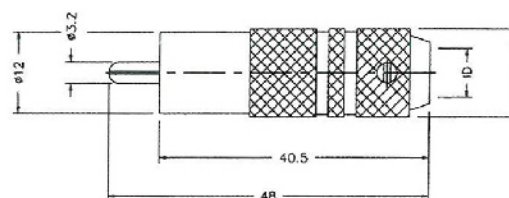
Metal Barrel, Chrome Plated, I.D.: For 7mm, 8mm Cable,
Code Ring: Red, Black



R-905A



Metal Barrel, Gold Plated / I.D.: For 6mm, 7mm Cable



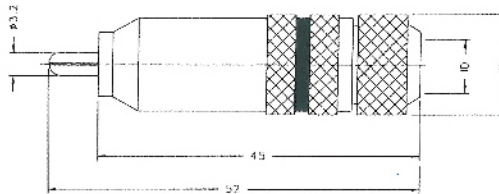
RCA Plug Series



R-906A

RCA Plug

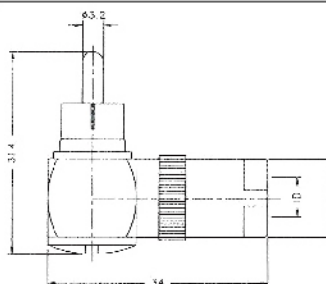
Metal Barrel, Black Plated / I.D.: For 8mm, 9mm, 10mm Cable



R-907A

Right-Angle RCA Plug

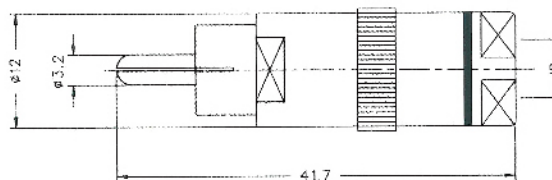
I.D.: For 5mm, 6mm Cable



R-908A

Straight RCA Plug

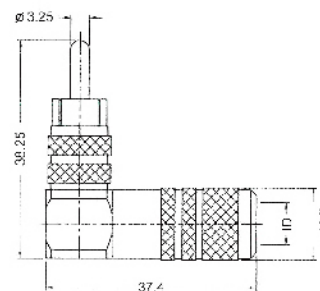
I.D.: For 5mm, 6mm Cable



R-909A

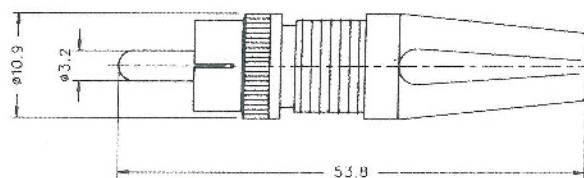
Right-Angle RCA Plug

Gold Plated / I.D.: For 7mm, 8mm, 9mm Cable



R-910A

RCA Plug

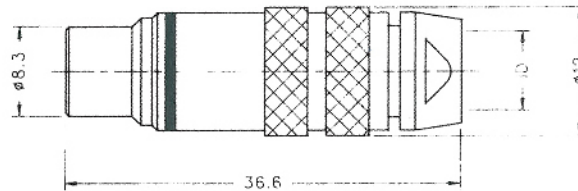


RCA Jack Series

R-916A



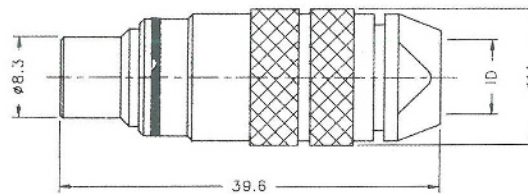
Metal Barrel, Chrome Plated, I.D.: For 5mm, 6mm Cable,
Code Ring: Red, Black



R-917A



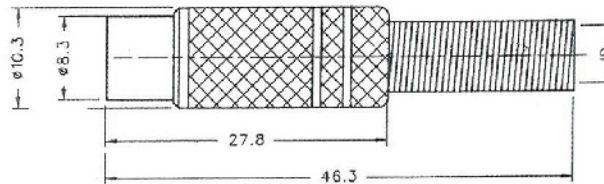
Metal Barrel, Chrome Plated, I.D.: For 7mm, 8mm Cable,
Code Ring: Red, White



R-918A



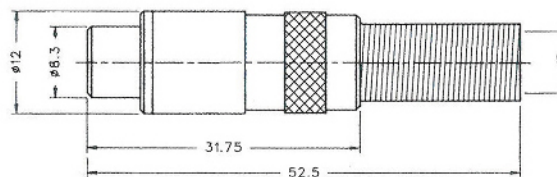
Metal Barrel, w/Metal Spring, Gold Plated, I.D.: For 4mm, 5mm, 6mm Cable,
Code Ring: Red, Black



R-918B

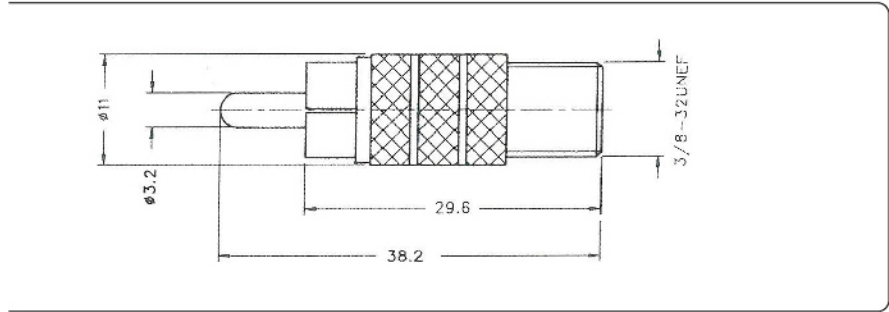


Metal Barrel, w/Metal Spring, Gold Plated, I.D.: For 7mm, 8mm Cable,
Code Ring: Red, Black

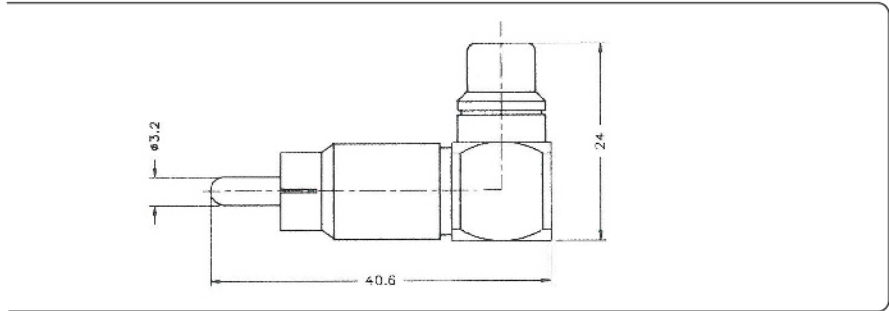


RCA Adapter Series

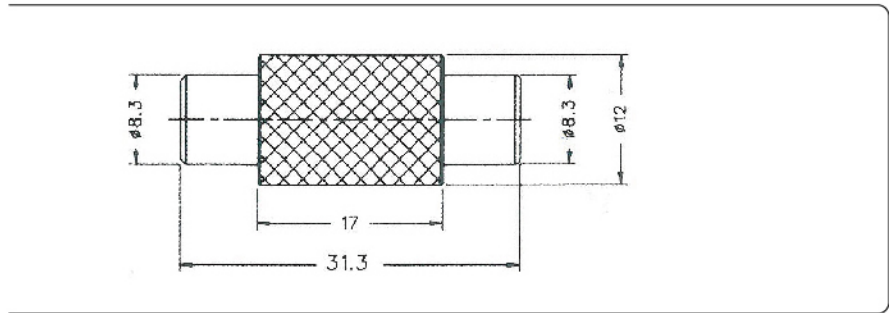
R-921A



R-922A

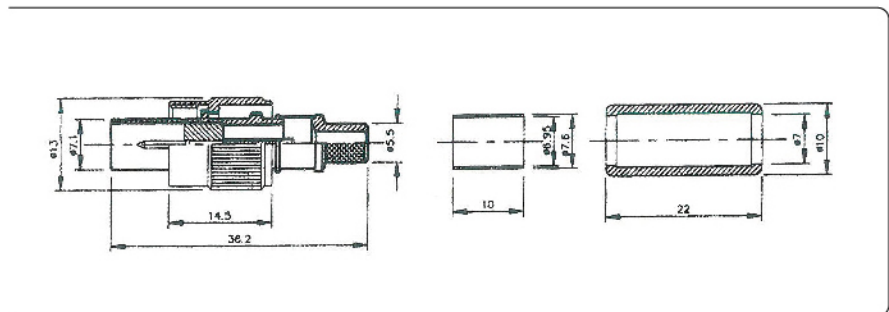


R-923A



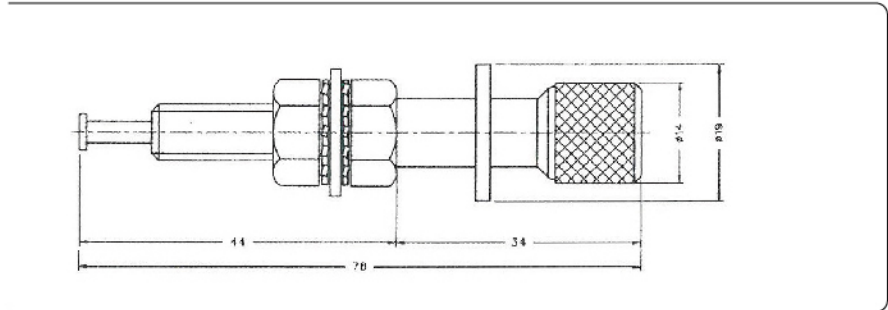
Special Type

R-924A

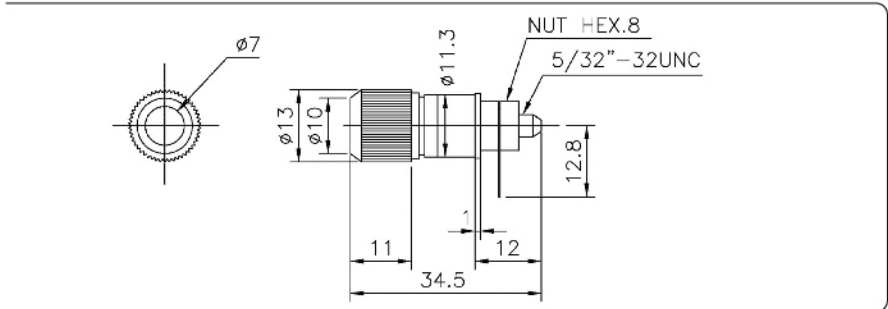


Speaker Terminal Jack Series

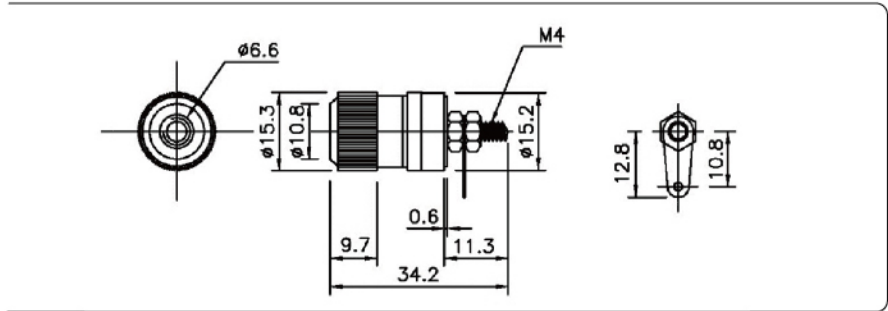
R-911A



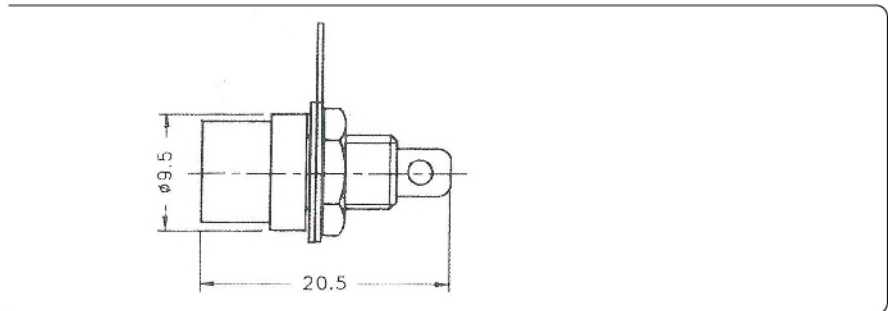
R-927A-BNPX-R



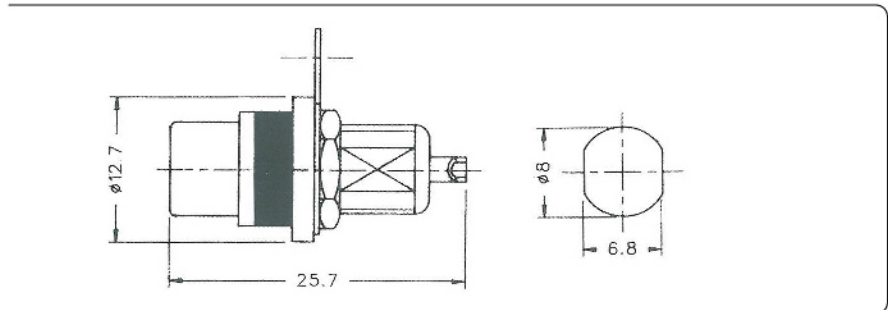
R-928A-BNPX-R



R-914A

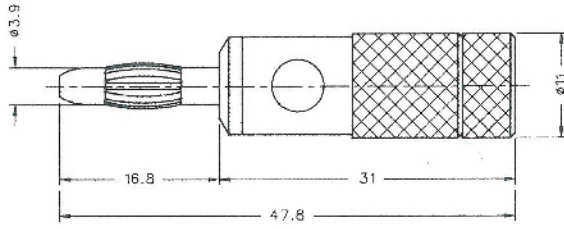


R-915A

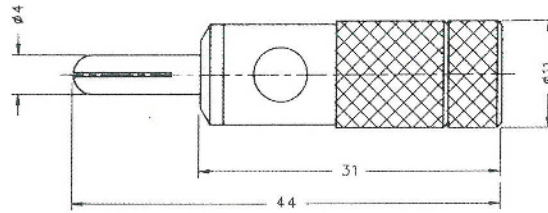


Speaker Terminal Plug Series

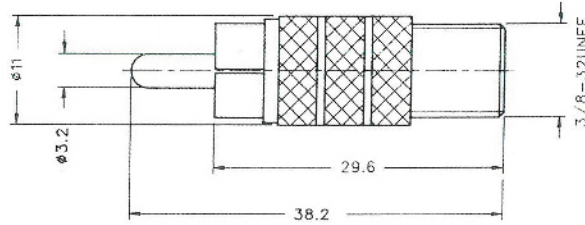
R-912A



R-913A



R-920B

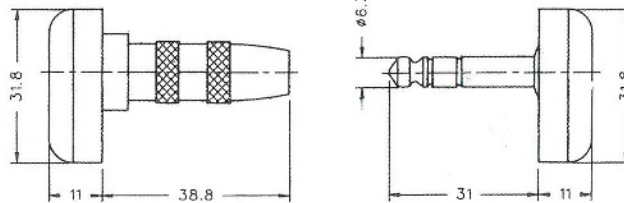


Phone Plug / Jack

R-919A

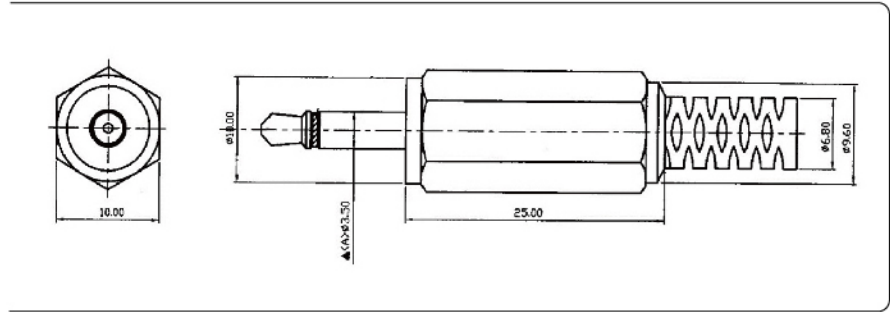


Right Angle, w/Plastic Handle

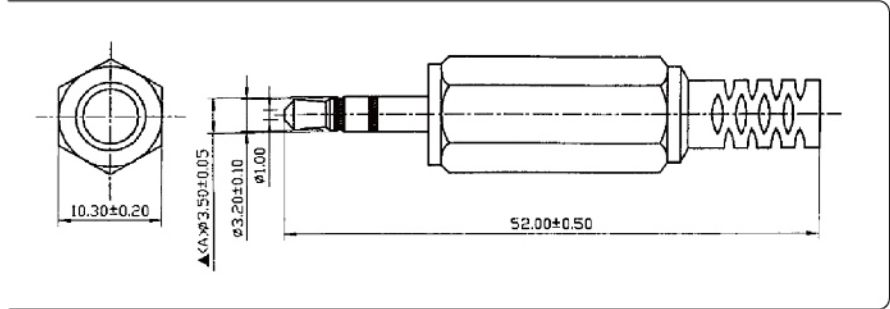


Audio Plug

R-925A-BNPX-R

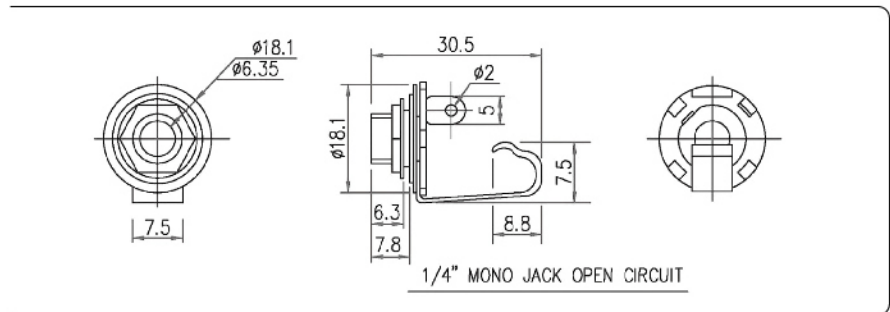


R-925B-BNPX-R



Mic Jack

R-926B-BNNB-R



Speaker Terminal Series

MODEL : AV-100-2

2P SPEAKER TERMINAL



MODEL : AV-100-4

4P SPEAKER TERMINAL



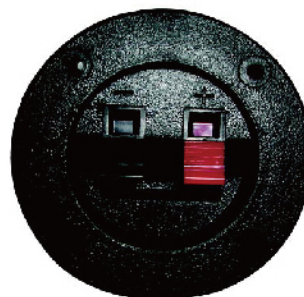
MODEL : AV-101-2

2P SPEAKER TERMINAL



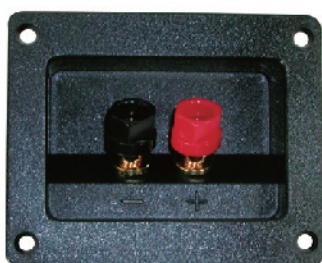
MODEL : AV-102-2

2P SPEAKER TERMINAL



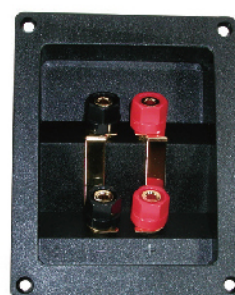
MODEL : AV-103-2

2P SPEAKER TERMINAL



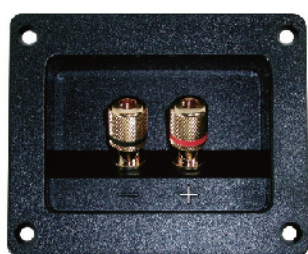
MODEL : AV-103-4

4P SPEAKER TERMINAL



MODEL : AV-104-2

2P SPEAKER TERMINAL



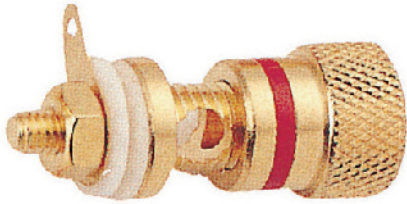
MODEL : AV-104-4

4P SPEAKER TERMINAL

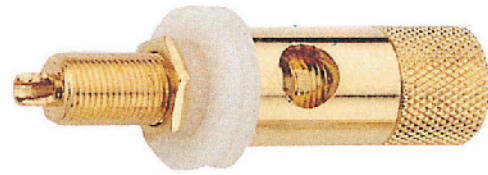


Others

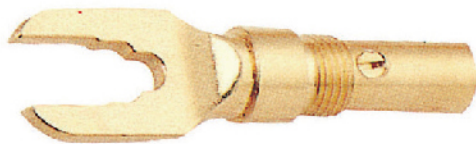
MODEL : AV-200-1R
1P SPEAKER TERMINAL



MODEL : AV-201-1
1P SPEAKER TERMINAL



MODEL : AV-202
SPADE PLUG



MODEL : AV-203-R
SPADE PLUG



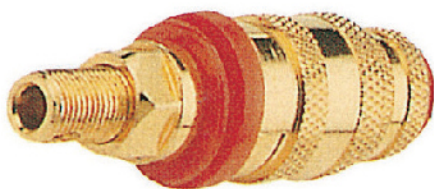
MODEL : AV-204-2
DUAL BINDING POST



MODEL : AV-205-2
DUAL BINDING POST WITH PROTECT COVER



MODEL : AV-206-R
BINDING POST



MODEL : AV-207-B
SINGLE BINDING POST WITH PROTECT COVER



Others

MODEL : AV-300

BNC MALE TO DUAL 4mm BINDING POST



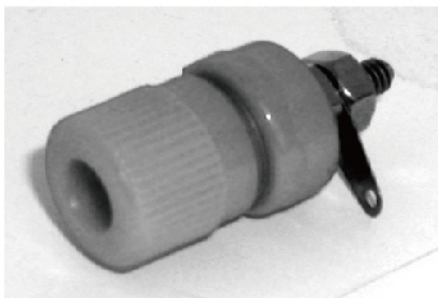
MODEL : AV-301

BNC FEMALE TO DUAL 4mm BINDING POST



MODEL : AV-302

4mm BINDING POST



MODEL : AV-303

4mm BINDING POST



MODEL : AV-304

4mm BINDING POST



MODEL : AV-305

4mm BINDING POST



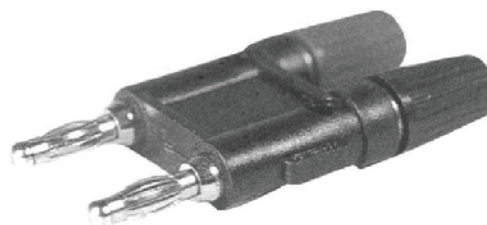
MODEL : AV-306

4mm DUAL BINDING POST



MODEL : AV-307

4mm DUAL BANANA PLUG



Others

MODEL : AV-401

ALLIGATOR CLIPS



MODEL : AV-402

BANANA PLUG



MODEL : AV-403

ALLIGATOR CLIPS



MODEL : AV-404

ALLIGATOR CLIPS



MODEL : AV-405

55mm LENGTH WIRE CLIP



MODEL : AV-406

90mm LENGTH WIRE CLIP



MODEL : AV-407

ALLIGATOR CLIPS



MODEL : AV-408

ALLIGATOR CLIPS



- 1.本目錄記載數據僅供參考，詳細內容請參考式樣書或圖面。
- 2.本目錄記載內容為了改進產品如有變更，恕不另行通知敬請見諒。

1.The product information in this catalog is for reference only.
Please request the engineering drawing for the most current and accurate design information.

2.In order to make improvements in the products,we reserve the right to make changes,
updates and corrections to the information provided in this catalog at any time.
Subject to change without notice. Thank you for your understanding.



Manufacturer

OEM / ODM

APEX PRECISION TECHNOLOGY CORP.
錫鋼精密科技股份有限公司

總公司/總廠 : 24264 新北市新莊區民安西路405號 E-mail: apexmail@plt.com.tw
Headquarters No. 405, Min-an W. Rd., Sinjhuang District, New Taipei City 24264, Taiwan
TEL : +886-2-2206-8899 FAX : +886-2-2208-0559

台中/大雅廠 : 42844 台中市大雅區民生路3段191巷4號、6號、8號
Taichung Plant No. 8, Lane 191, Section 3, Minsheng Rd., Daya District, Taichung City 42844, Taiwan
TEL : +886-4-2560-7272 FAX : +886-4-2565-2228

日本公司 : **株式会社 PLT JAPAN** Technology R&D / Import & Export
Japan Office 〒151-0053 東京都渋谷区代々木3丁目28番1・28-1, Yoyogi 3-Chome, Shibuya-ku, Tokyo, Japan
TEL : +81-3-6276-8845 FAX : +81-3-6276-6645 日本携帯電話 : +81-80-4166-2688

AS9100D 航太國防工業品質管理系統認證通過
QUALITY MANAGEMENT SYSTEMS -
REQUIREMENTS FOR AVIATION, SPACE,
AND DEFENSE ORGANIZATIONS

IATF 16949 全球汽車產業品質管理系統認證通過
CERTIFIED IN GLOBAL AUTOMOBILE INDUSTRY

ISO 14001 國際環境管理系統認證通過
ENVIRONMENTAL MANAGEMENT SYSTEMS

ISO 9001 國際品質管理系統認證通過
QUALITY MANAGEMENT SYSTEMS

ISO/TS 22163 國際鐵路行業標準認證通過
INTERNATIONAL RAILWAY INDUSTRY STANDARD